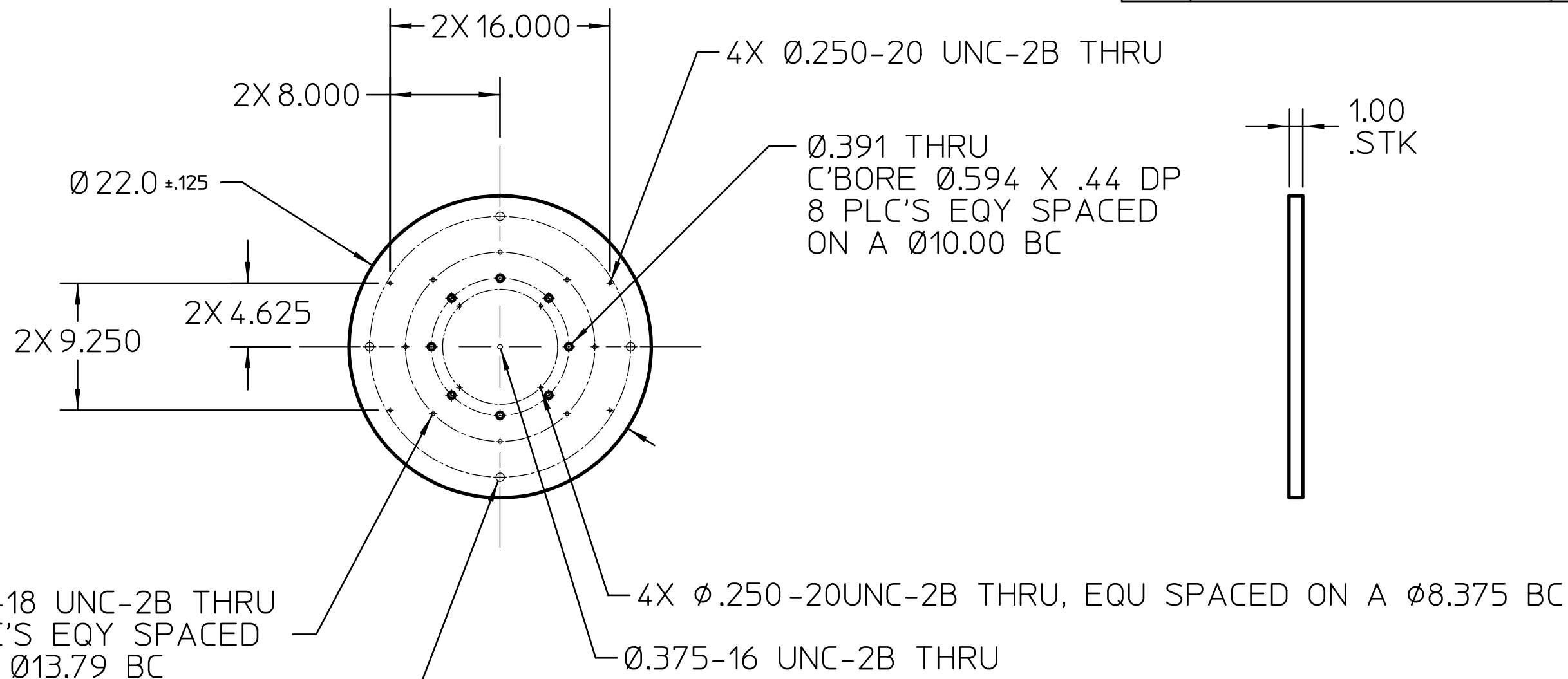


REVISIONS			
LTR	DESCRIPTION	DATE	APPROVED
-	INITIAL RELEASE	07-12-90	JM
A	REVISED & REDRAWN	03-19-91	JM
B	ADDED $\phi 8.375$ BC	04-07-93	ABC
C	ADDED 4X $\phi .391$ THRU W/ C'BORE	10-03-18	CG



NOTES:

1. MATERIAL: ALUMINUM JIG PLATE

DIMENSIONS IN INCHES UNLESS OTHERWISE SPECIFIED .XXX $\pm .005$.XX $\pm .03$.X $\pm .06$ Fractions $\pm .015$ Angles $\pm .5$		NATIONAL INSTITUTE OF STANDARDS AND TECHNOLOGY REACTOR RADIATION DIVISION GAITHERSBURG, MD. 20899			
THIRD ANGLE PROJECTION 				PLATE, TABLE FOR HUBER TABLE SUPPORT	
ENGINEER	JAMES MOYER (301) 975-5138	SIZE	LAST REV DATE	DWG No.	REV
		B	04-07-93	003-0329	C
CAD SYS	ORIGINAL DATE	SCALE	Do Not Scale		SHEET
ME30	07-12-90	1:10			1 OF 1
DRAWN BY		APPROVED BY		DATE	
AL HEALD		JAMES MOYER		09-28-90	