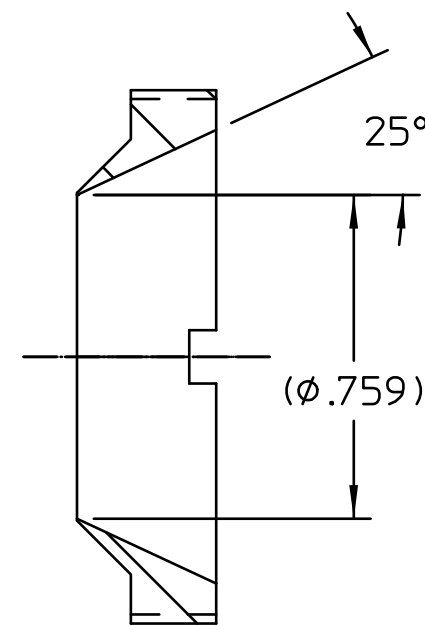
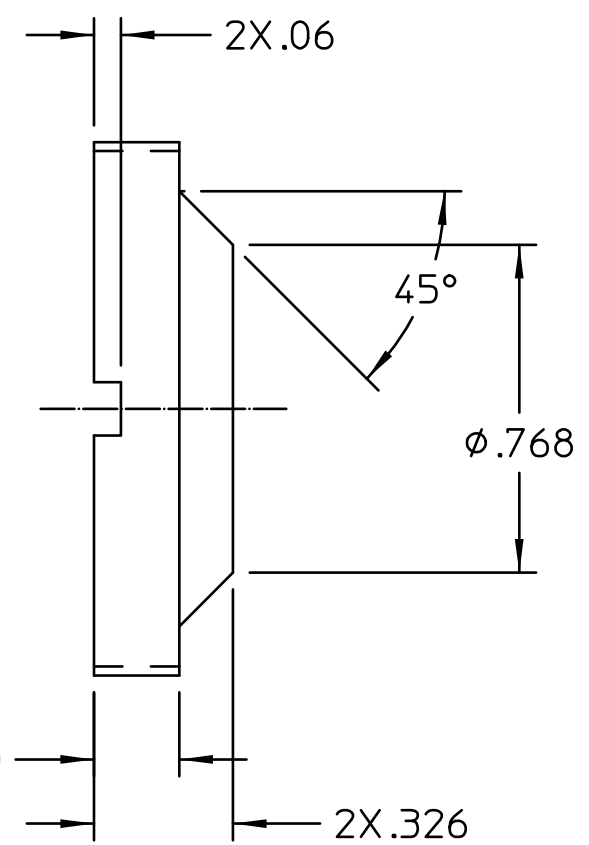
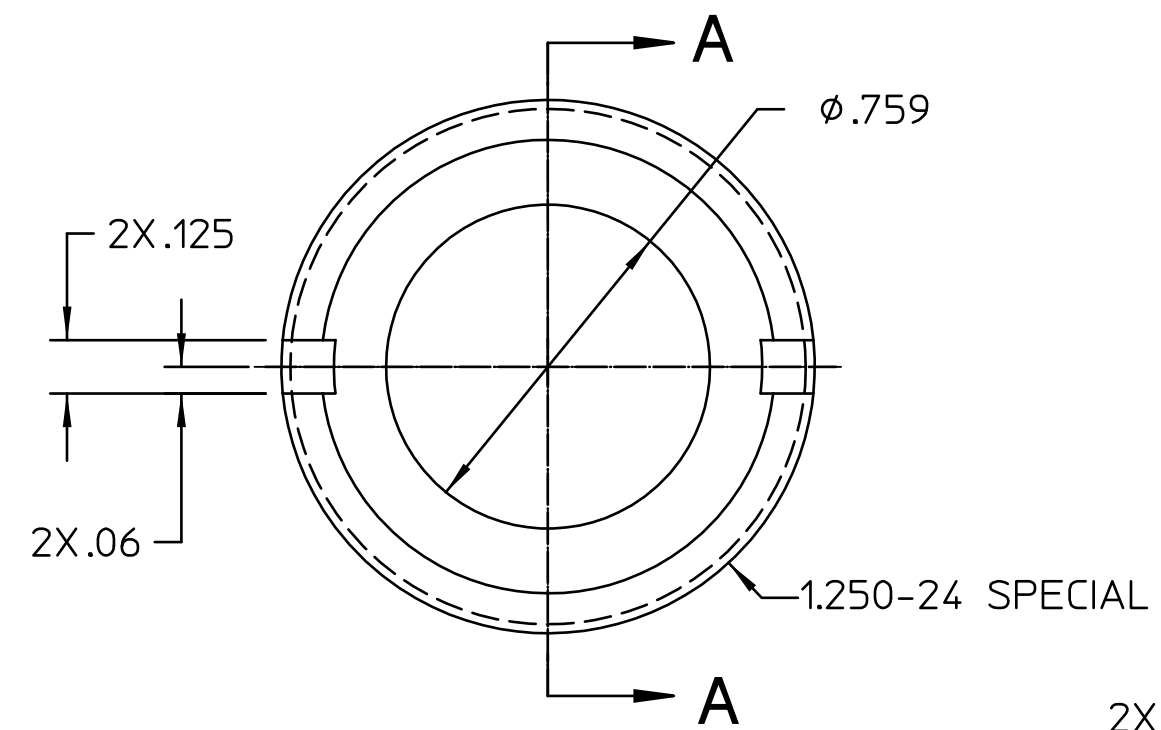


REVISIONS				
No.	ZONE	ECN	CHANGE	DATE
C			.125 X .06 SLOT THRU	1/18/02



Section A-A



- NOTES:
- REMOVE ALL BURRS.
  - BAG AND TAG WITH DRAWING NUMBER AND DATE OF MANUFACTURE.

MATERIAL SPECIFICATION		APPROVALS		UNLESS OTHERWISE SPECIFIED DIMENSIONS ARE IN INCHES TOLERANCES ARE : DECIMALS .XXX ±.005 FRACTIONS ±.015 .XX ±.01 ANGLES ±.5	 National Institute of Standards and Technology Technology Administration, U.S. Department of Commerce	CENTER FOR NEUTRON RESEARCH		
TITANIUM, GRADE 2, R50400		ENGR	DATE			100 BUREAU DRIVE GAITHERSBURG, MD. 20899		
SIZE	MATERIAL FORM	ENGR MNGR	DATE		<b>RETAINER</b> FOR SANS DEMOUNTABLE CELLS			
CAD DATA		ANNOTATION DRAWING DATA						
PART NAME		STATE	DATE	DO NOT SCALE DRAWING		SIZE <b>B</b>	DWG No. <b>003-1193</b>	REV <b>C</b>
CREATOR	DATE	VERSION	SHEETS	THIRD ANGLE PROJECTION		SCALE <b>2:1</b>	RELEASE DATE	NEXT ASSY.
John Bailey	01/11/02							SHEET <b>1 of 1</b>
STATE	DATE	DRAFTER	DATE	ENGINEER	PHONE #	CALC. WT.	ACT. WT.	DIM. & TOL. PER ANSI Y14.5M-1982
work	1/11/02 9:01 AM			John Bailey	(301) 975-8364			WAS 001-003
LAST UPDATE BY	DATE	LAST UPDATE BY	DATE					
colin	10/28/16 10:38 AM							