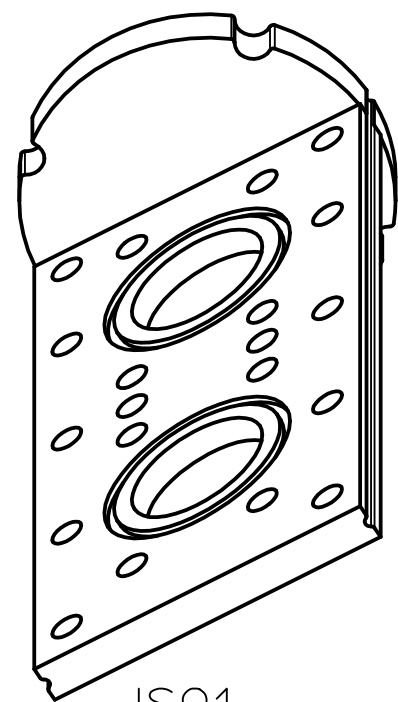
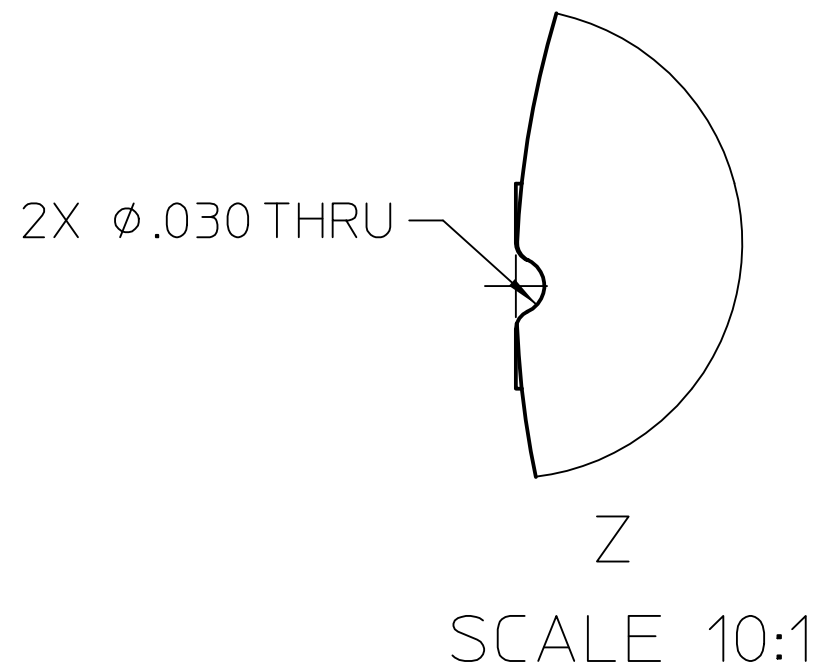


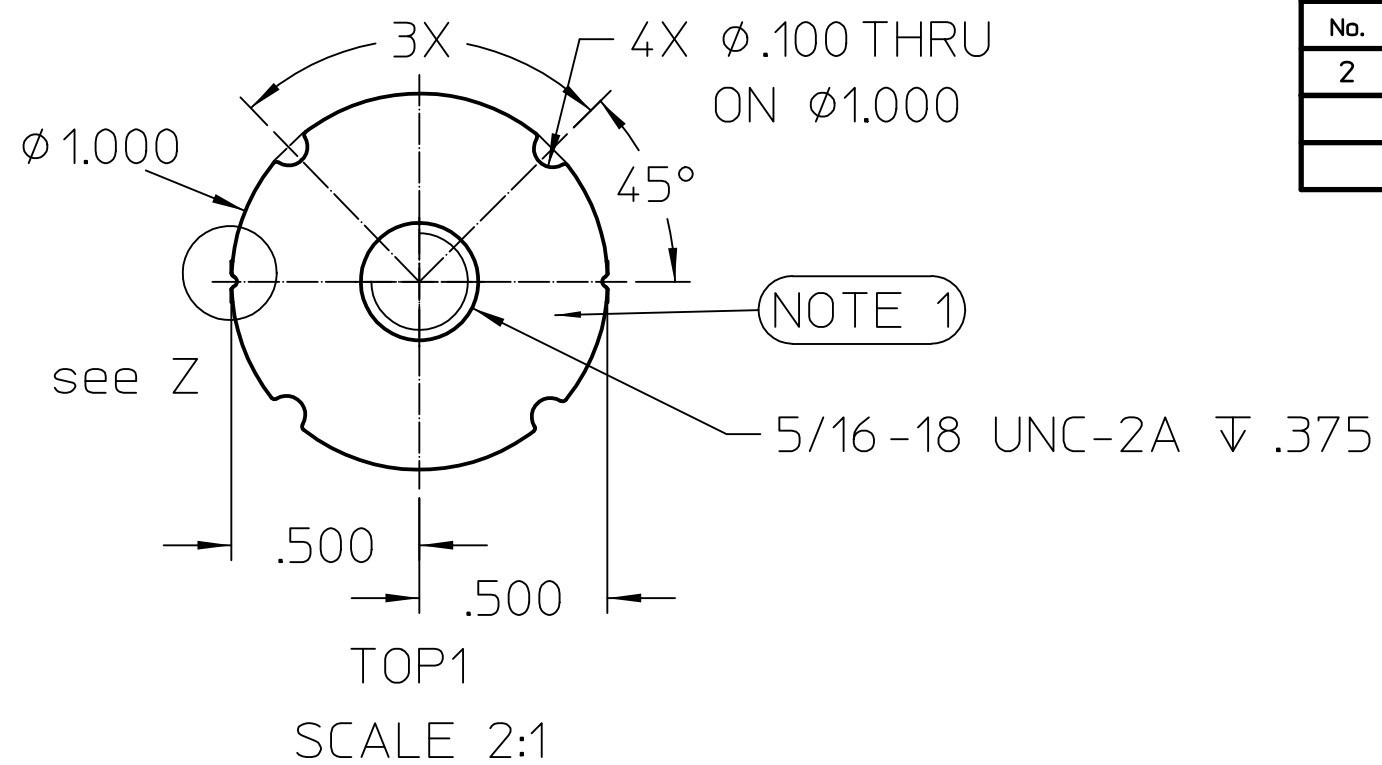
REVISIONS				
No.	ZONE	ECN	CHANGE	DATE
2	2C		ADDED GROOVE FEATURE	11/03/14



ISO1
SCALE 2:1

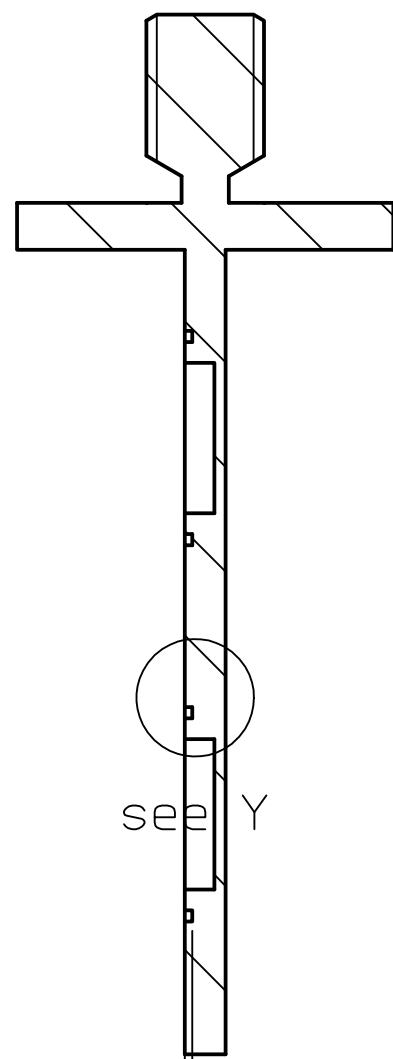


Z
SCALE 10:1

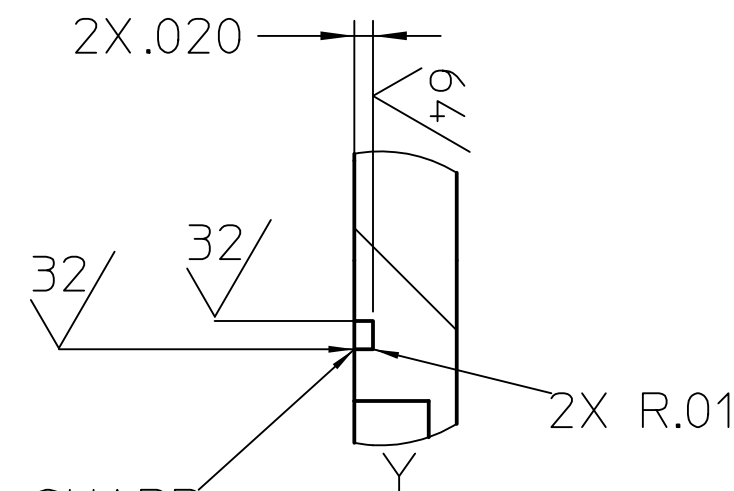


TOP1
SCALE 2:1

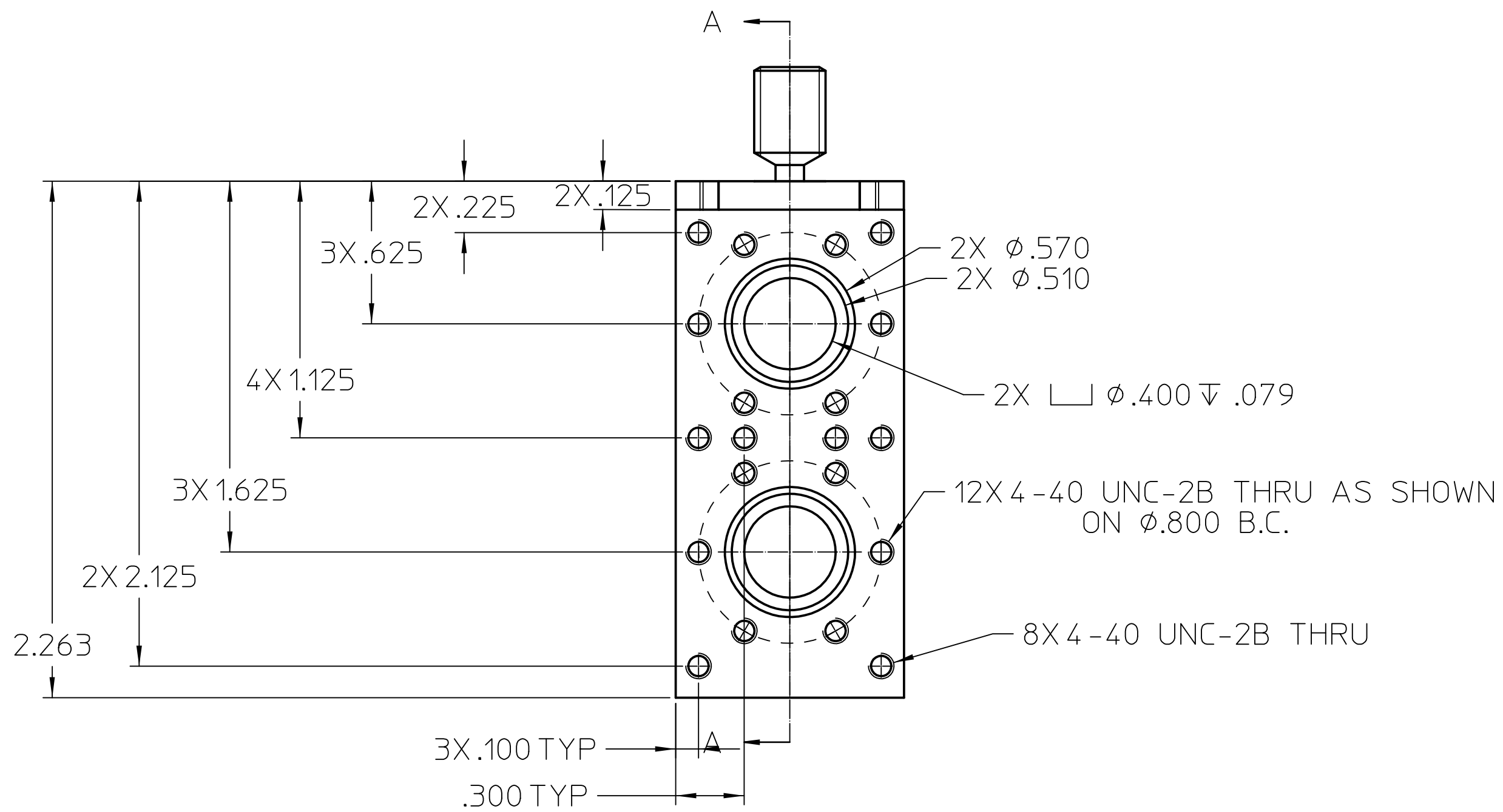
NOTE 1



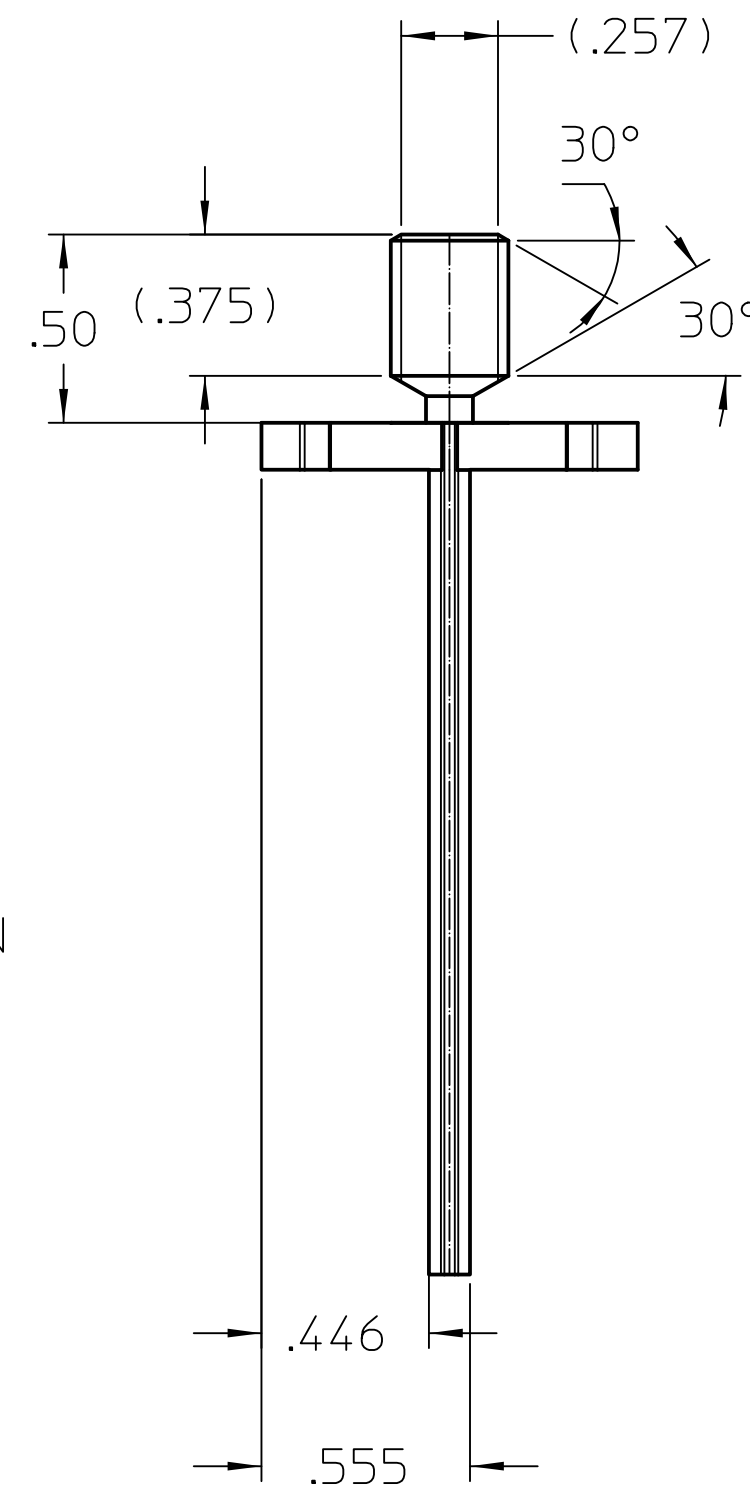
SECTION A-A



2X BREAK SHARP
EDGES .005
SCALE 5:1



FRONT1
SCALE 2:1



RIGHT1
SCALE 2:1

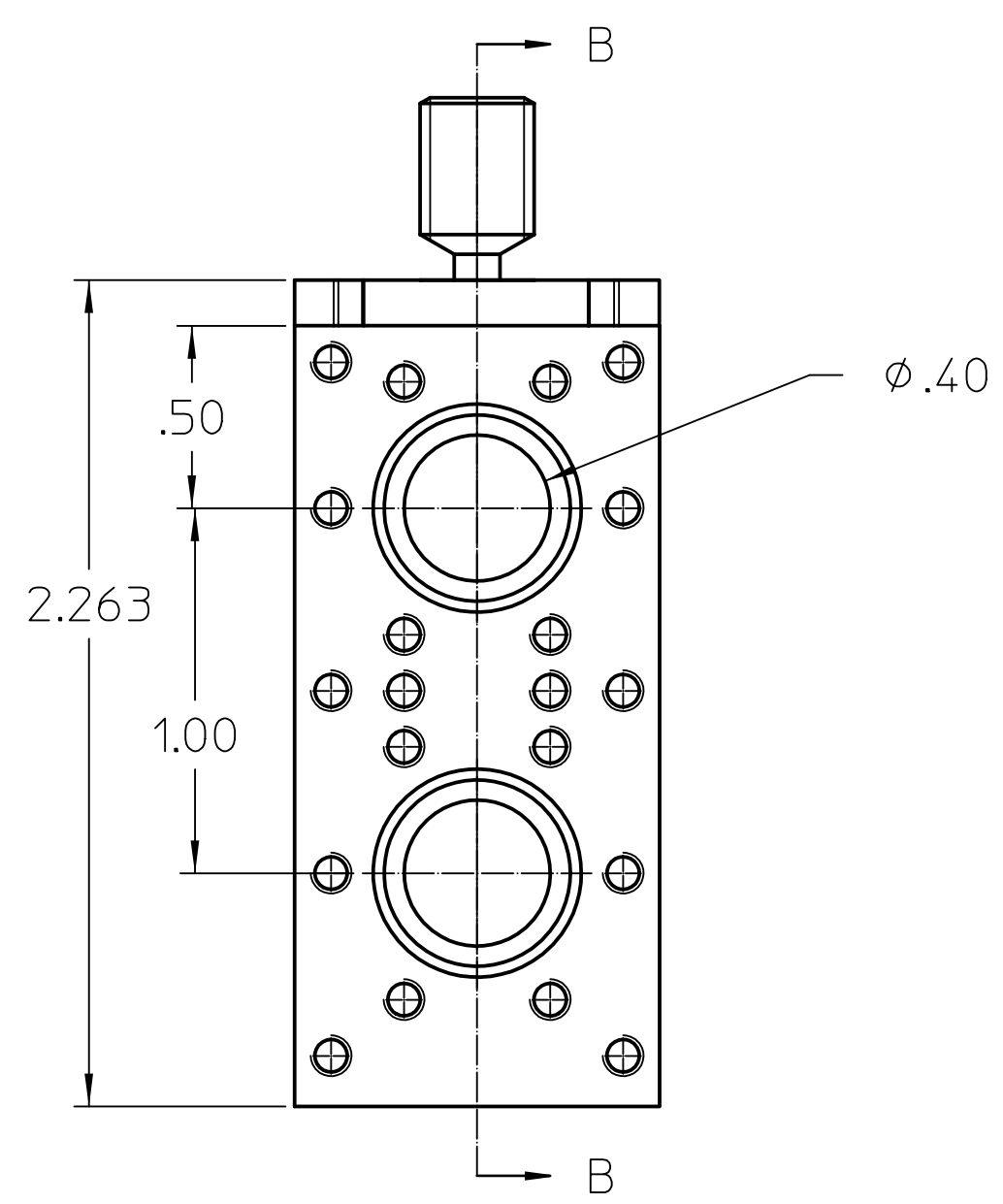
NOTES:
1. MARK PART WITH NO. 1/8" CHARACTER SIZE.
NOT MORE THAN 25% OF PART THICKNESS
2. BREAK ALL SHARPS .005 - .015

MATERIAL SPECIFICATION		APPROVALS	
MATERIAL ALUMINUM, 6061-T6	ENGR	DATE	
FORM	ENGR MNGR	DATE	
MODEL DATA		DRAWING DATA	
MODEL NAME sans_2_smp_hldr	STATE work	DATE 11/3/14 1:57 PM	
CREATOR swatson	VERSION 2	SHEETS 2	
DATE 7/21/14 6:39 PM			
DRAFTER swatson	DATE 11/3/14 1:57 PM		
LAST UPDATE BY swatson	DATE 4/29/16 3:29 PM		

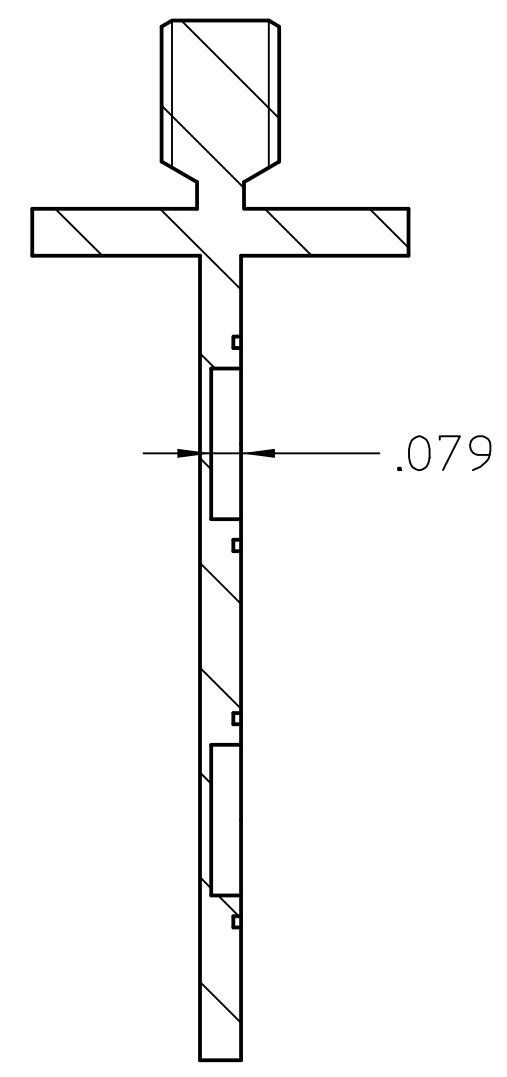
UNLESS OTHERWISE SPECIFIED
DIMENSIONS ARE IN INCHES
TOLERANCES ARE:
DECIMALS .XXX ±.005 FRACTIONS ±.015
XX ±.01 ANGLES ±.5
X ±.1
DO NOT SCALE DRAWING

NIST		CENTER FOR NEUTRON RESEARCH	
National Institute of Standards and Technology U.S. Department of Commerce		100 BUREAU DRIVE GAITHERSBURG, MD, 20899	
SANS 2 SAMPLE HOLDER			
FOR		014-1636	
SIZE C	DWG No.	014-1633	
SCALE 2:1	RELEASE DATE	1 of 2	
CALC. WT.	ACT. WT.	DIM. & TOL. PER ANSI Y14.5M-1982	

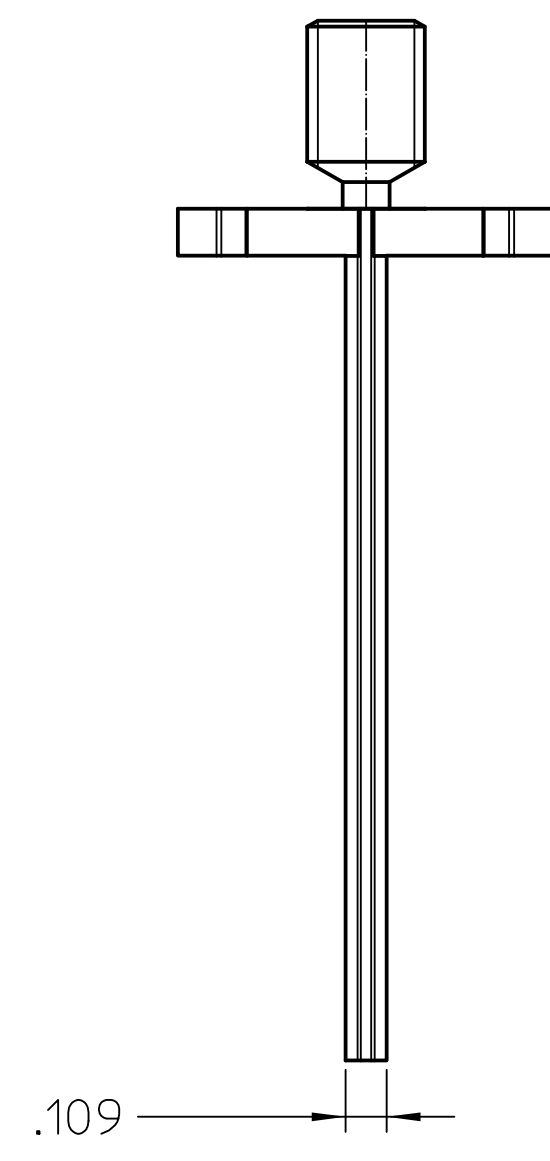
REVISIONS				
No.	ZONE	ECN	CHANGE	DATE
2				



FRONT2
SCALE 2:1



SECTION B-B



RIGHT2
SCALE 2:1

USER NOTES:

1. SAMPLE WELL HAS OD = 0.40" AND DEPTH = 0.79"
2. DIMENSIONS FOR 3-SAMPLE CAN ARE SAME EXCEPT 1" LONGER
3. 3-SAMPLE CAN HAS 3 SAMPLE POSITIONS SPACED AT 1" INTERVAL

MATERIAL SPECIFICATION MATERIAL: ALUMINUM, 6061-T6 FORM: SIZE		APPROVALS ENGR: DATE ENGR MGR: DATE		UNLESS OTHERWISE SPECIFIED DIMENSIONS ARE IN INCHES TOLERANCES ARE: DECIMALS FRACTIONS .XXX ±.005 ±.015 .XX ±.01 ANGES ±.5 'X ±.1		NIST National Institute of Standards and Technology U.S. Department of Commerce		CENTER FOR NEUTRON RESEARCH 100 BUREAU DRIVE GAITHERSBURG, MD, 20899	
MODEL DATA MODEL NAME: sans_2_smp_hldr CREATOR: swatson DATE: 7/21/14 6:39 PM		DRAWING DATA STATE: work DATE: 11/3/14 1:57 PM VERSION: 2 SHEETS: 2		DO NOT SCALE DRAWING		FOR: 014-1636		SIZE: C DWG No. 014-1633 REV 2	
THIRD ANGLE PROJECTION 		DRAFTER: swatson DATE: 11/3/14 1:57 PM LAST UPDATE BY: swatson DATE: 4/29/16 3:29 PM		ENGINEER: Shannon Watson PHONE NUMBER: (301) 975-6232 EMAIL ADDRESS: shannon.watson@nist.gov		SCALE: 2:1 RELEASE DATE:		SHEET: 2 of 2 DIM. & TOL. PER ANSI Y14.5M-1982	