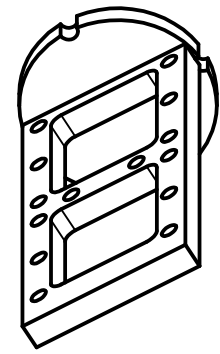
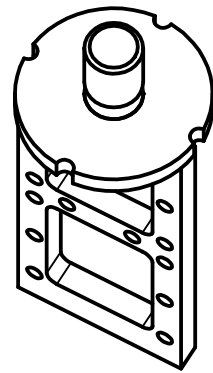


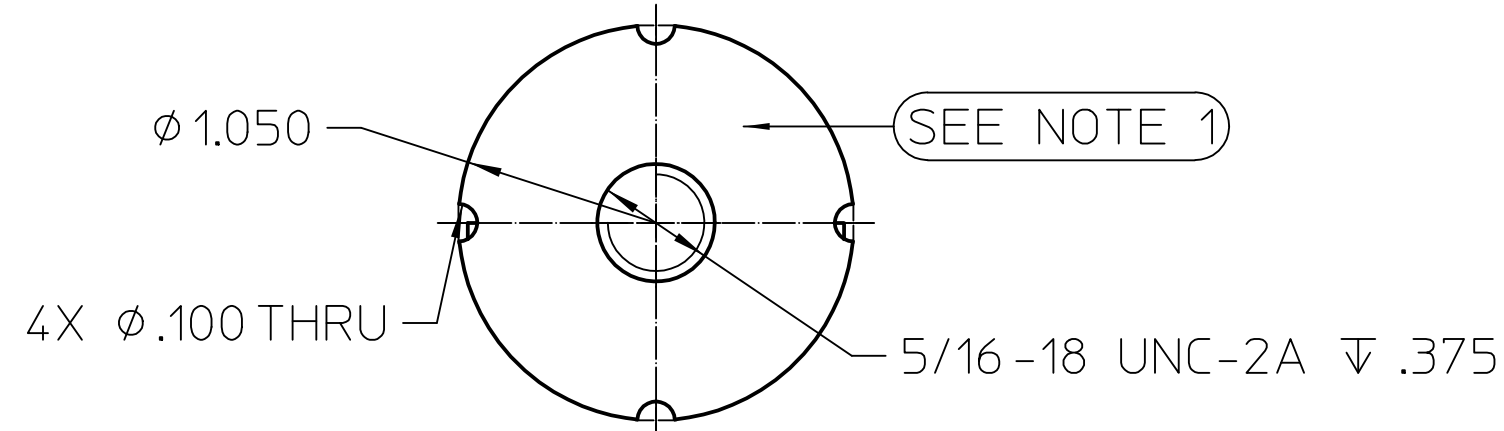
REVISIONS				
No.	ZONE	ECN	CHANGE	DATE
1				



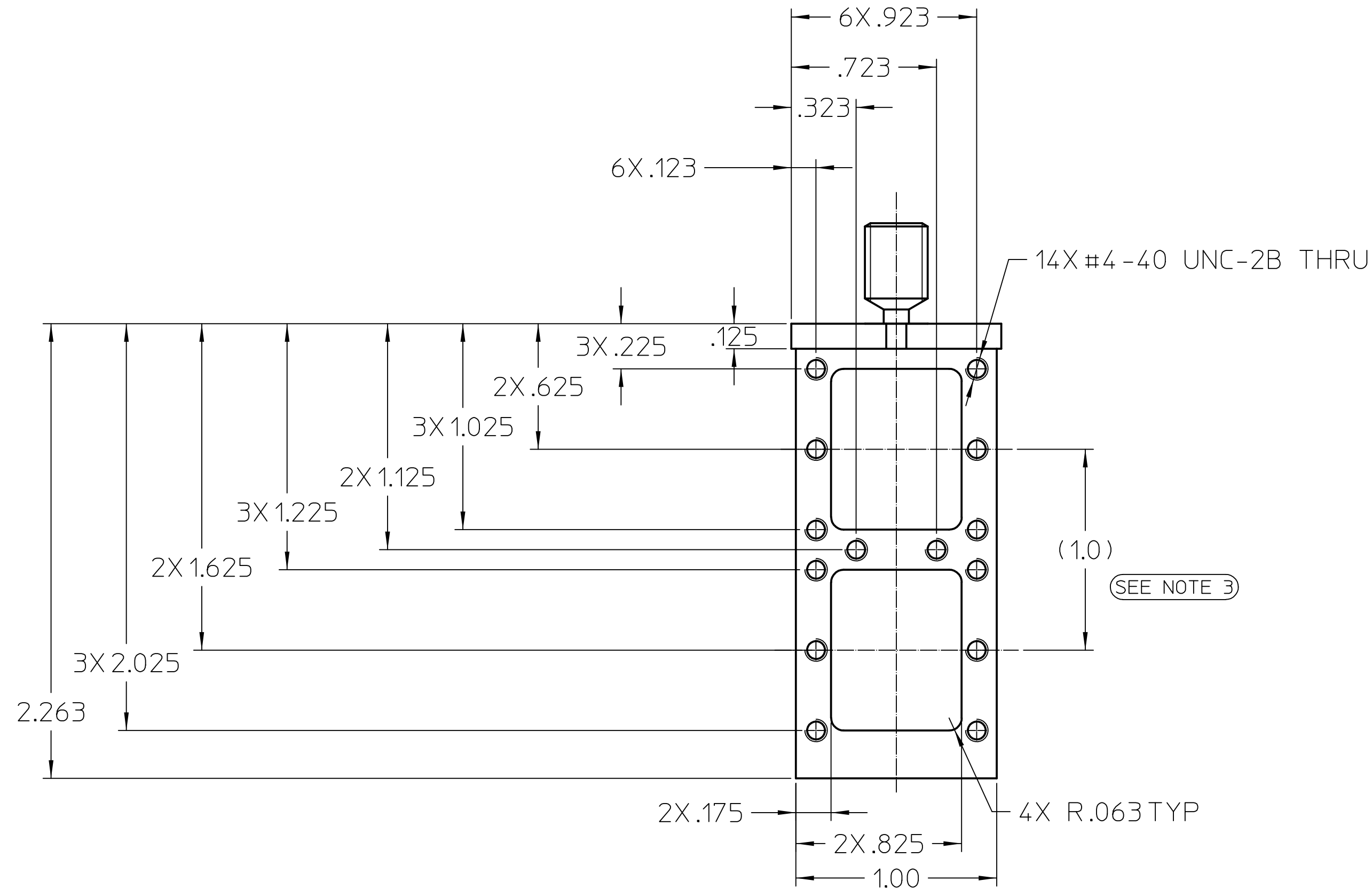
ISO1  
SCALE 1:1



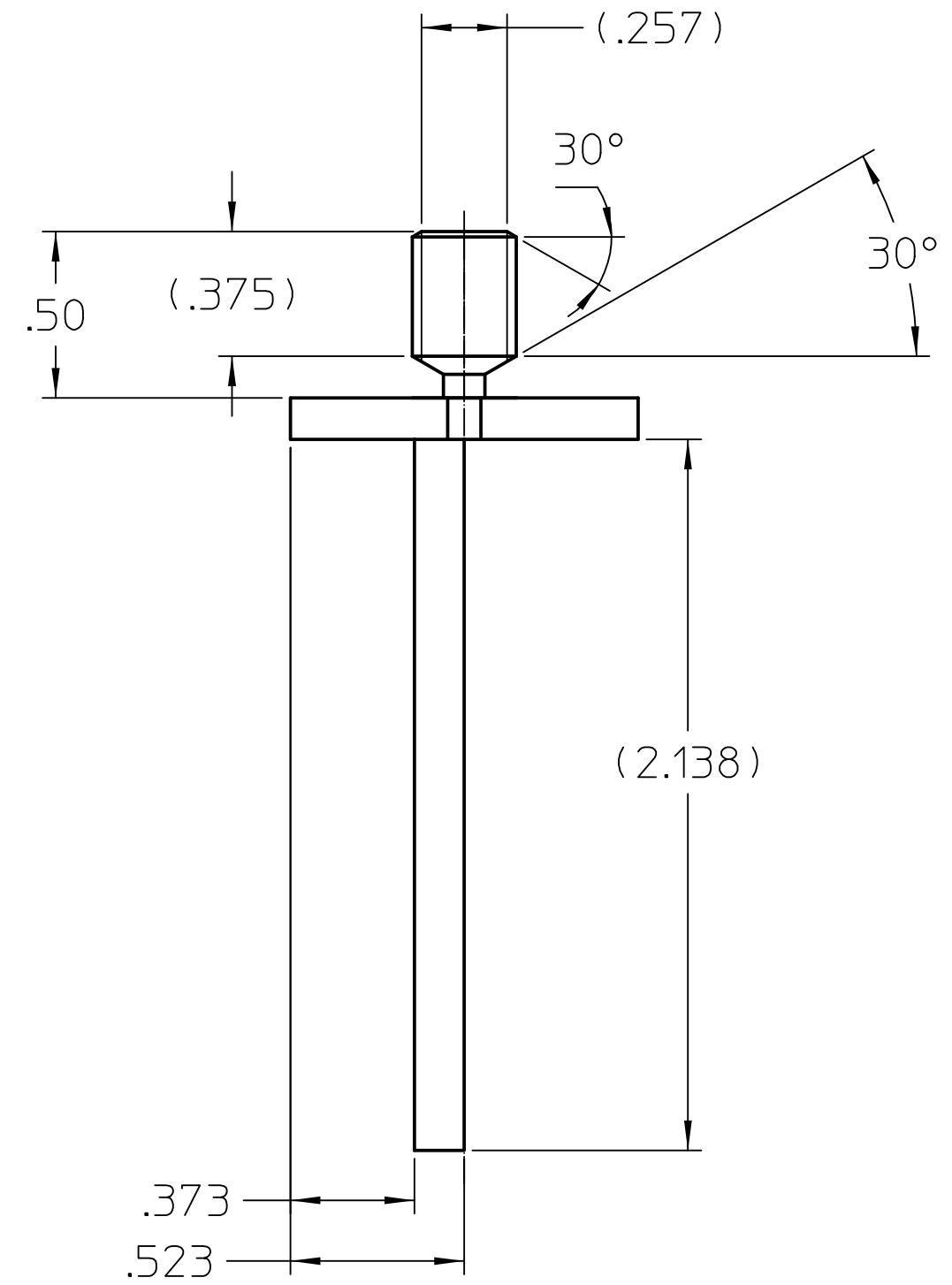
ISO2  
SCALE 1:1



TOP1  
SCALE 2:1



FRONT1  
SCALE 2:1



RIGHT1  
SCALE 2:1

**NOTES:**  
 1. MARK PART WITH NO. 1/8" CHARACTER SIZE.  
 NOT MORE THAN 25% OF PART THICKNESS  
 2. BREAK ALL SHARP EDGES .005 - .015  
 3. USER NOTE ==> SAMPLE POSITION CENTERS AT 1" INTERVAL

MATERIAL SPECIFICATION		APPROVALS	
MATERIAL	ALUMINUM, 6061-T6	ENGR	DATE
FORM	PER ASSEMBLY	ENGR MNGR	DATE
MODEL DATA		DRAWING DATA	
MODEL NAME	2pos_sans_sample_frame	STATE	work
CREATOR	swatson	DATE	9/28/17 9:47 AM
DATE	9/27/17 4:32 PM	VERSION	1
SHEETS	1	DATE	9/28/17 9:47 AM
DRAWER	swatson	DATE	10/5/17 1:08 PM
LAST UPDATE BY	swatson	DATE	

UNLESS OTHERWISE SPECIFIED  
 DIMENSIONS ARE IN INCHES  
 TOLERANCES ARE:  
 DECIMALS .XXX ±.005 FRACTIONS ±.015  
 .XX ±.01 ANGLES ±.5  
 X ±.1  
 DO NOT SCALE DRAWING  
 ENGINEER  
 Shannon Watson  
 (301) 975-6232  
 EMAIL ADDRESS  
 swatson@nist.gov

<b>NIST</b> National Institute of Standards and Technology U.S. Department of Commerce		CENTER FOR NEUTRON RESEARCH 100 BUREAU DRIVE GAITHERSBURG, MD, 20899	
<b>2 POS. SANS SAMPLE FRAME</b>			
SIZE	C	DWG No.	014-2490
SCALE	2:1	RELEASE DATE	
CALC. WT.		ACT. WT.	
		DIM. & TOL. PER ANSI Y14.5M-1982	
		SHEET 1 of 1	