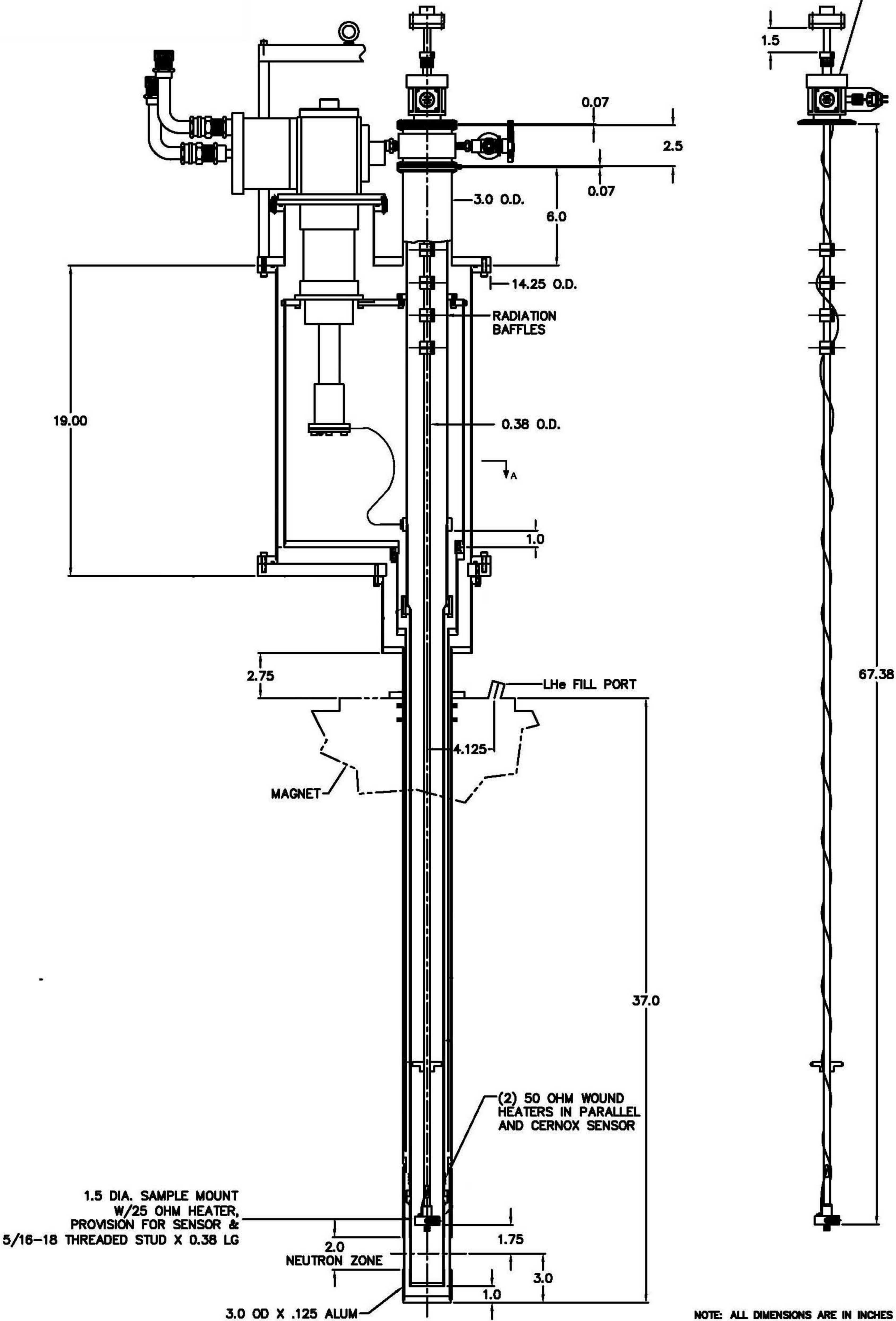


SAMPLE POSITIONER ASSY
 W/ (1) 10 PIN FEEDTHROUGH,
 (1) THERMOCOUPLE PORT
 & (2) BLANK PORTS



NOTE: ALL DIMENSIONS ARE IN INCHES