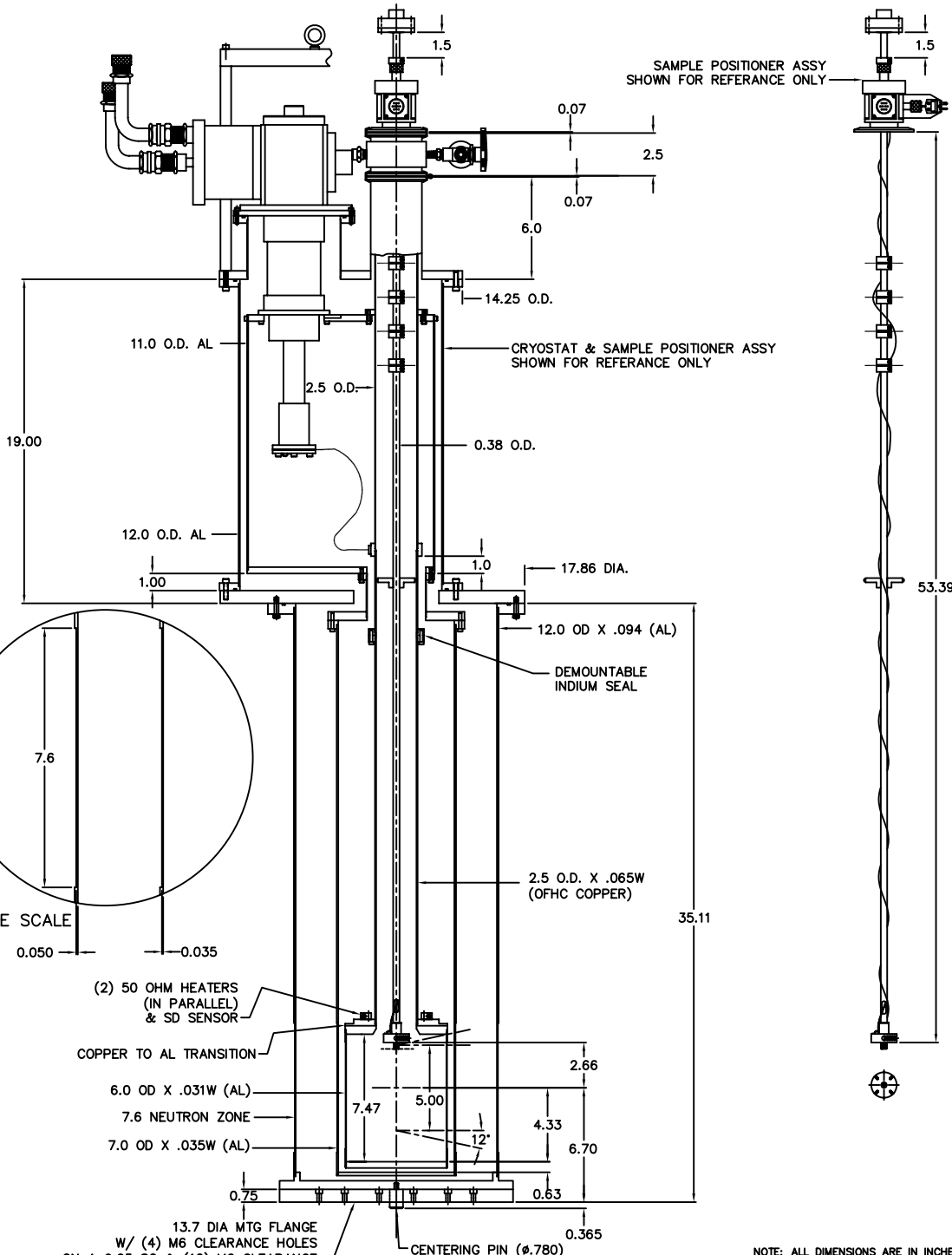
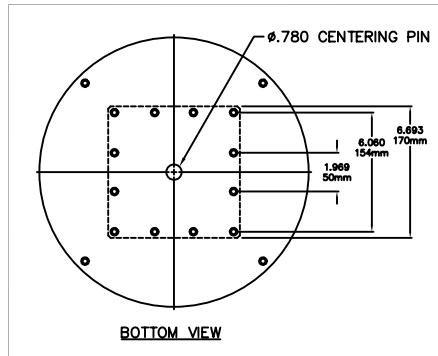
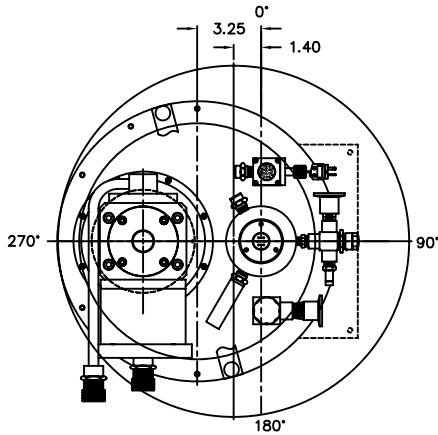


REVISIONS		
LTR	DESCRIPTION	DATE
A	UPDATED HEATER/AUTO FLAME NOTES & ADDED CENTERING PIN	10/06/08



NEUTRON ZONE SCALE

NOTE: ALL DIMENSIONS ARE IN INCHES

CONFIDENTIAL AND PROPRIETARY THIS DRAWING AND/OR INFORMATION CONTAINED HEREIN IS THE SOLE PROPERTY OF THE JANIS RESEARCH COMPANY AND IS NOT TO BE RELEASED OR DIVULGED TO THIRD PARTIES WITHOUT THE EXPRESSED, WRITTEN CONSENT OF THE JANIS RESEARCH COMPANY, INC.			APPROVALS DEPT.   SIG.   DATE DWN BY   AG   6/12/06 ENG. BY       Q.C. BY       RELEASED TO MFG. BY       CUST. APPROVAL BY		JANIS RESEARCH CO. WILMINGTON, MA. TITLE SPECIAL TAIL ASSY FOR SHI-950-4 NON OPTICAL SIZE D DRAWING NO. D06-12-06E REV. A P. N. SCALE: 5/16 SHT 1 OF 1	
---	--	--	---	--	--	--