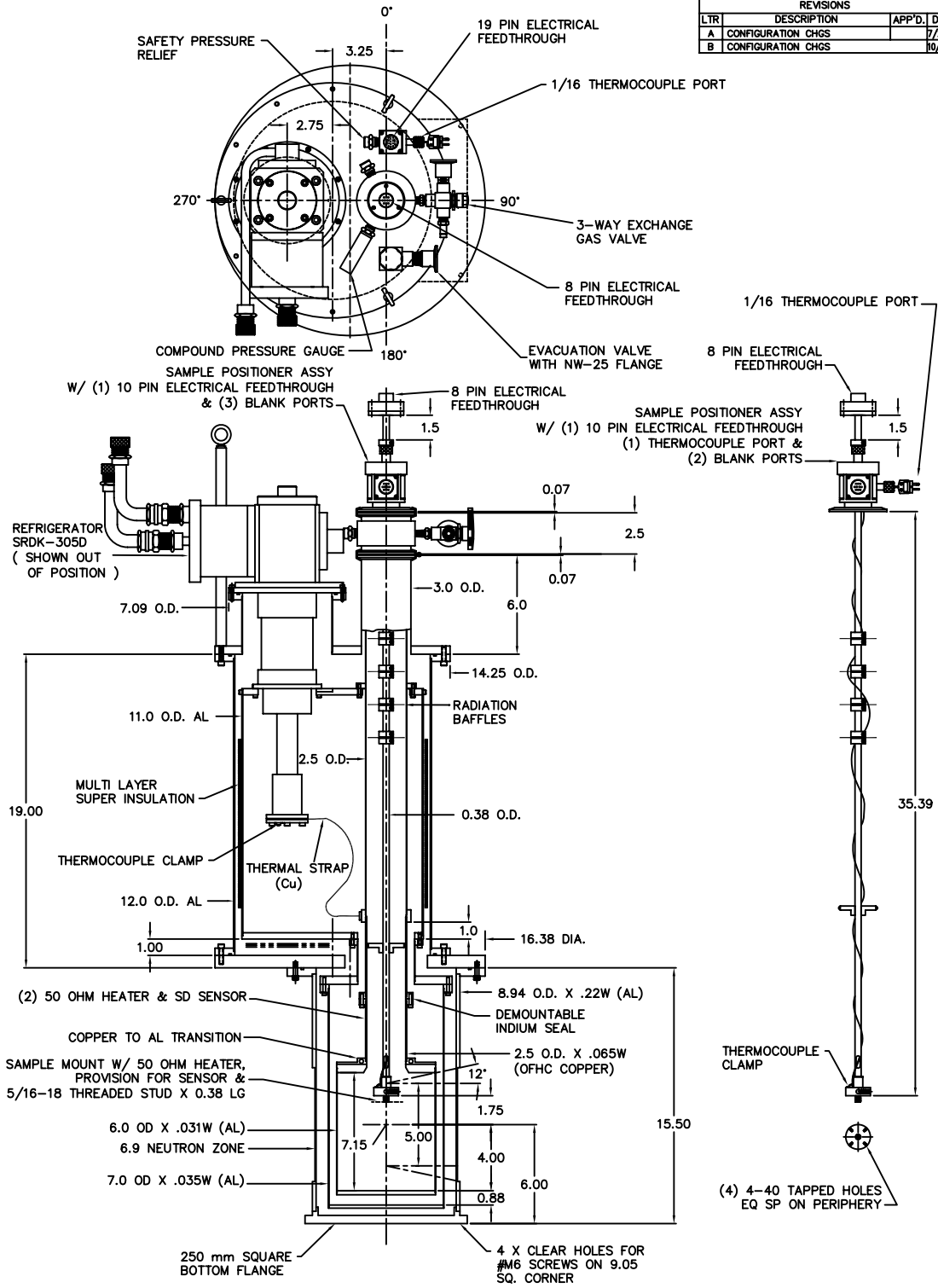


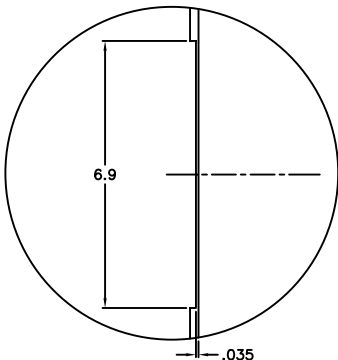
REVISIONS		
LTR	DESCRIPTION	APP'D. DATE
A	CONFIGURATION CHGS	7/27/05
B	CONFIGURATION CHGS	10/19/05



SYSTEM INCLUDES-

- (8) SAMPLE POSITIONER ASSY'S FOR 500K &
- (8) SAMPLE POSITIONER ASSY'S FOR 800K

NOTE: ALL DIMENSIONS ARE IN INCHES



NEUTRON ZONE SCALE

CONFIDENTIAL AND PROPRIETARY			APPROVALS			JANIS RESEARCH CO.		
THIS DRAWING AND/OR INFORMATION CONTAINED HEREIN IS THE SOLE PROPERTY OF THE JANIS RESEARCH COMPANY AND IS NOT TO BE RELEASED OR DIVULGED TO THIRD PARTIES WITHOUT THE EXPRESSED, WRITTEN CONSENT OF THE JANIS RESEARCH COMPANY, INC.			DEPT.	SIG.	DATE	WILMINGTON, MA.		
			CHK BY.	AG	3/2/05	TITLE SPECIAL SHI-950-4		
			ENG.			NON-OPTICAL HIGH TEMP.		
			Q.C.					
RELEASED TO MFG. BY			SIZE	DRAWING NO.	REV.			
CUST. APPROVAL BY			D	D03-02-05B	B			
			P. N.	SCALE: 5/16	SHT 1 OF 1			