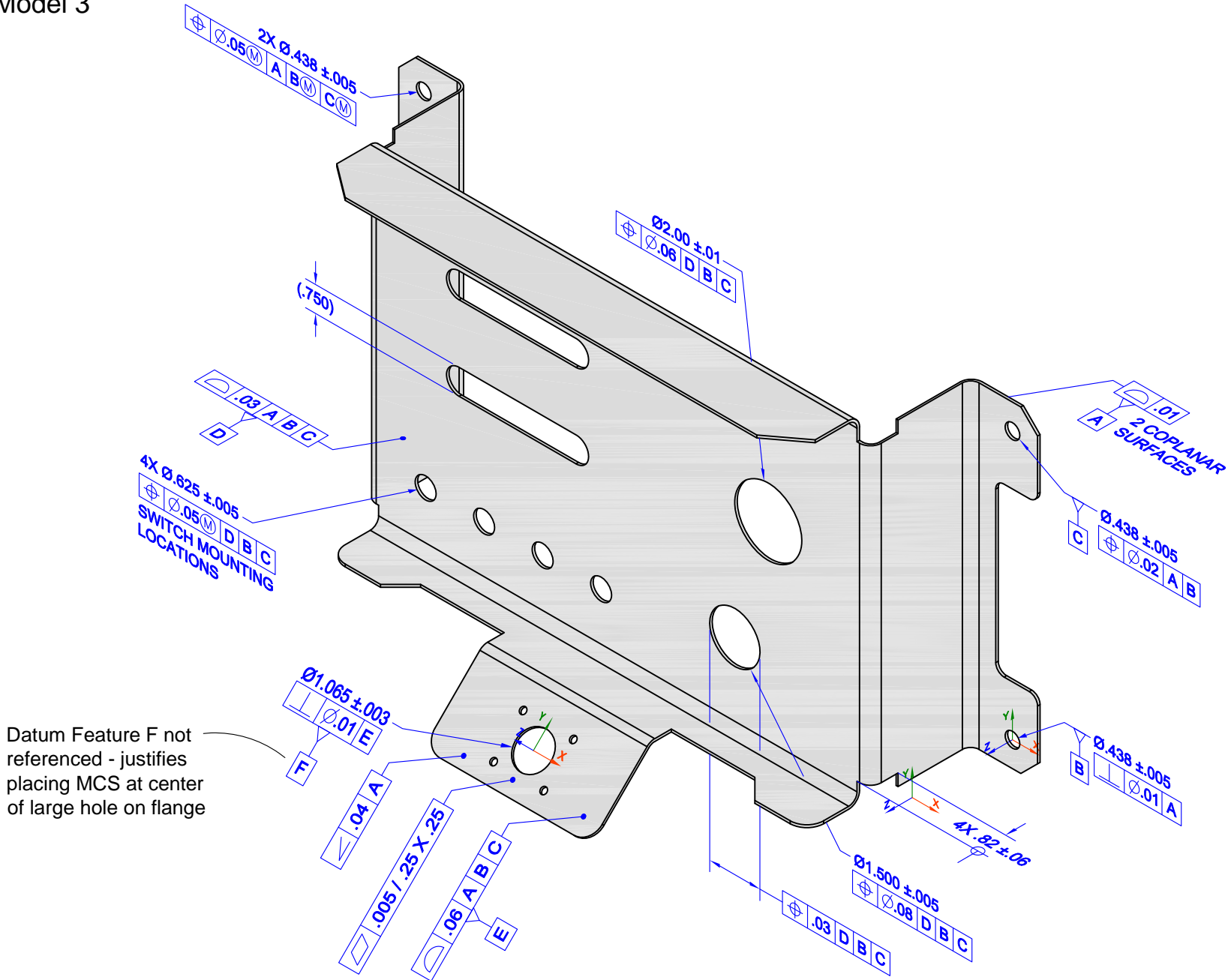


NIST PMI Test Models - 2012

Test Model 3



Datum Feature F not referenced - justifies placing MCS at center of large hole on flange

PMI Complex Test Case 3

Includes Atomic Test Cases - 6, 13, 14, 20, 27, 32, 36, 39, 45, 46