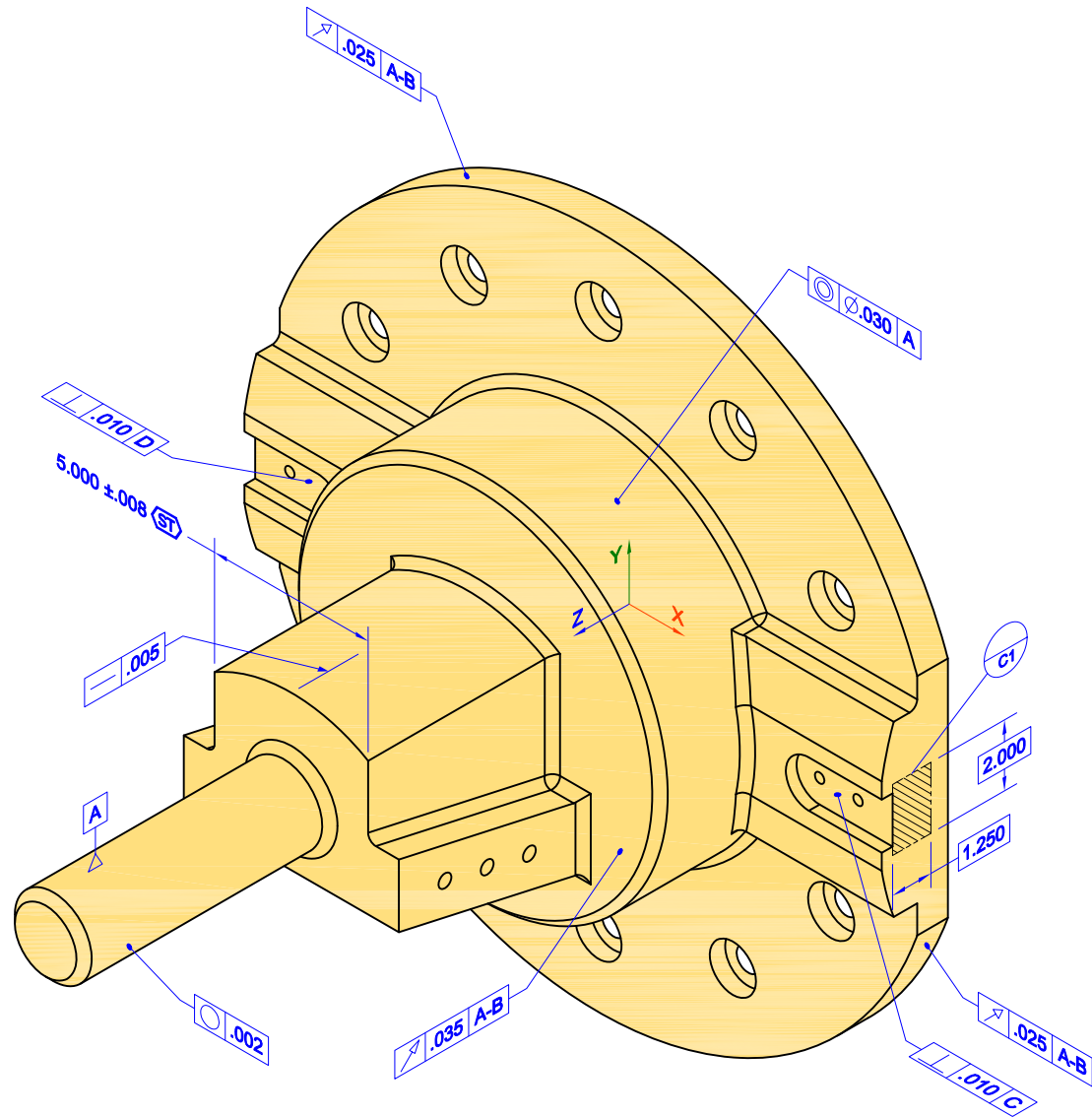


# NIST PMI Test Models - 2012

## Test Model 5



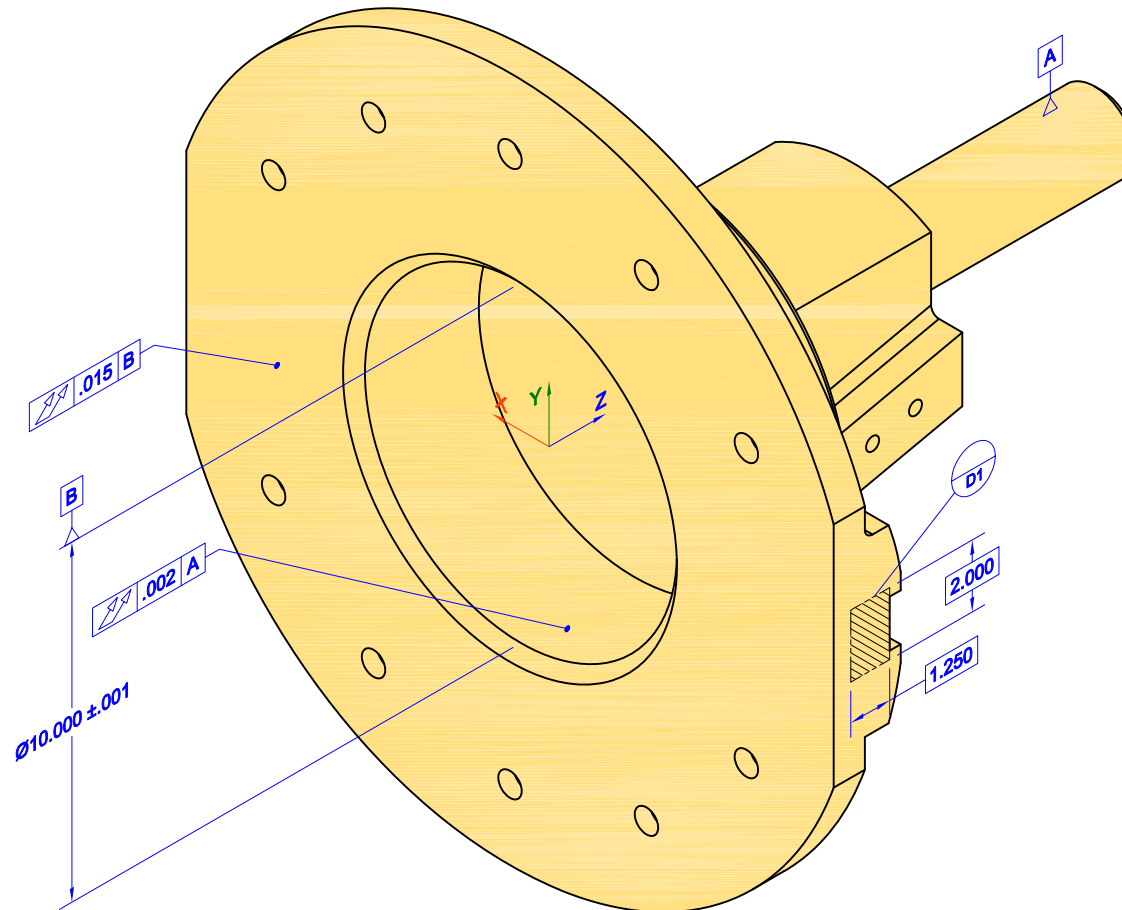
Notes  
Datum feature B and  
Datum target D1 defined  
in View 2 (of 2).

PMI Complex Test Case 5 - View 1 (of 2)  
Includes Atomic Test Cases - 11, 18, 19, 23, 24, 37, 42, 44

Rev D

# NIST PMI Test Models - 2012

## Test Model 5



### Notes

Datum feature A defined in View 1 (of 2).

Datum target D1 referenced in View 1 (of 2).

PMI Complex Test Case 5 - View 2 (of 2)  
Includes Atomic Test Cases - 25, 38, 42

Rev D