

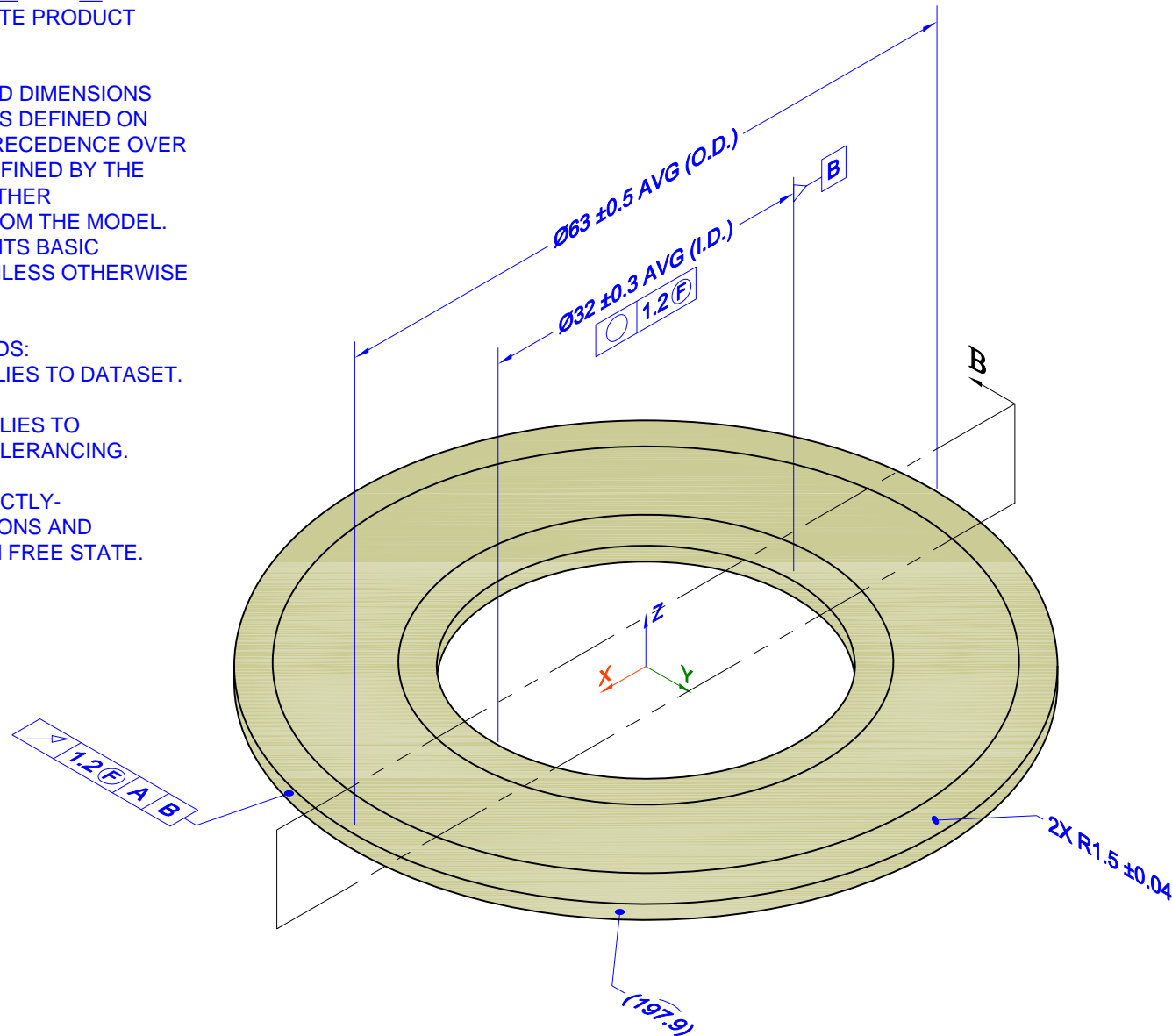
NIST PMI Test Models - 2014

NOTES (UNLESS OTHERWISE SPECIFIED):

1. CAD MODEL _____ REV. __ IS REQUIRED TO COMPLETE PRODUCT DEFINITION.
2. DIRECTLY-TOLERANCED DIMENSIONS AND BASIC DIMENSIONS DEFINED ON THE DRAWING TAKE PRECEDENCE OVER DIMENSIONAL DATA DEFINED BY THE MODEL. OBTAIN ALL OTHER DIMENSIONAL DATA FROM THE MODEL. THE MODEL REPRESENTS BASIC DIMENSIONAL DATA UNLESS OTHERWISE SPECIFIED.
3. APPLICABLE STANDARDS:
ASME Y14.41-2003 APPLIES TO DATASET.

ASME Y14.5M-1994 APPLIES TO DIMENSIONING AND TOLERANCING.
4. NON-RIGID PART. DIRECTLY-TOLERANCED DIMENSIONS AND TOLERANCES APPLY IN FREE STATE.
5. UNITS: MILLIMETERS

Feature and Specification Index
nist_ftc_11_asme1_rb_fsi.pdf

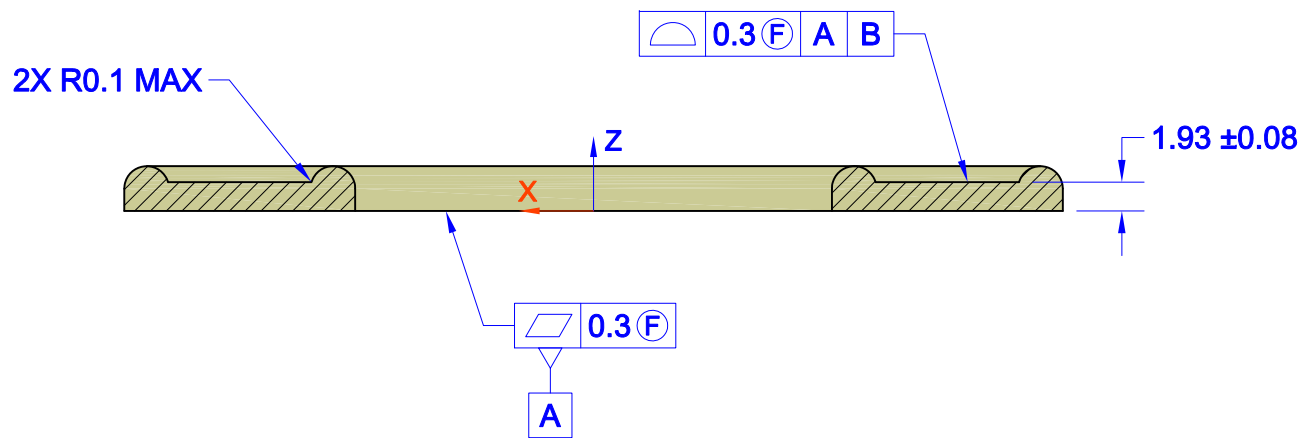


PMI Fully-Toleranced Test Case 11 - View A
Includes Atomic Test Cases - 55, 100

Rev B

nist_ftc_11_asme1_rb

NIST PMI Test Models - 2014



PMI Fully-Toleranced Test Case 11 - View B
Includes Atomic Test Cases - N/A