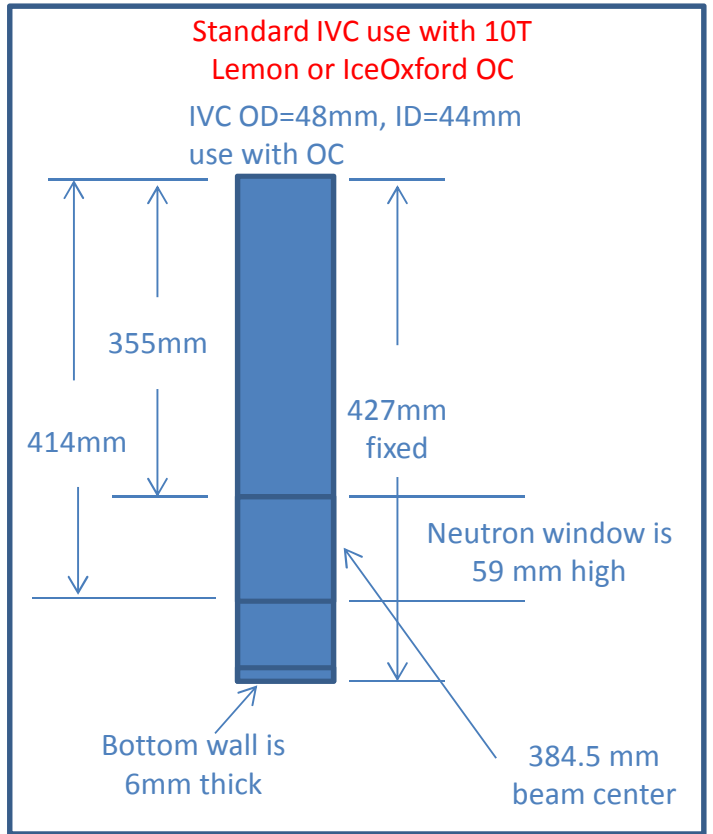
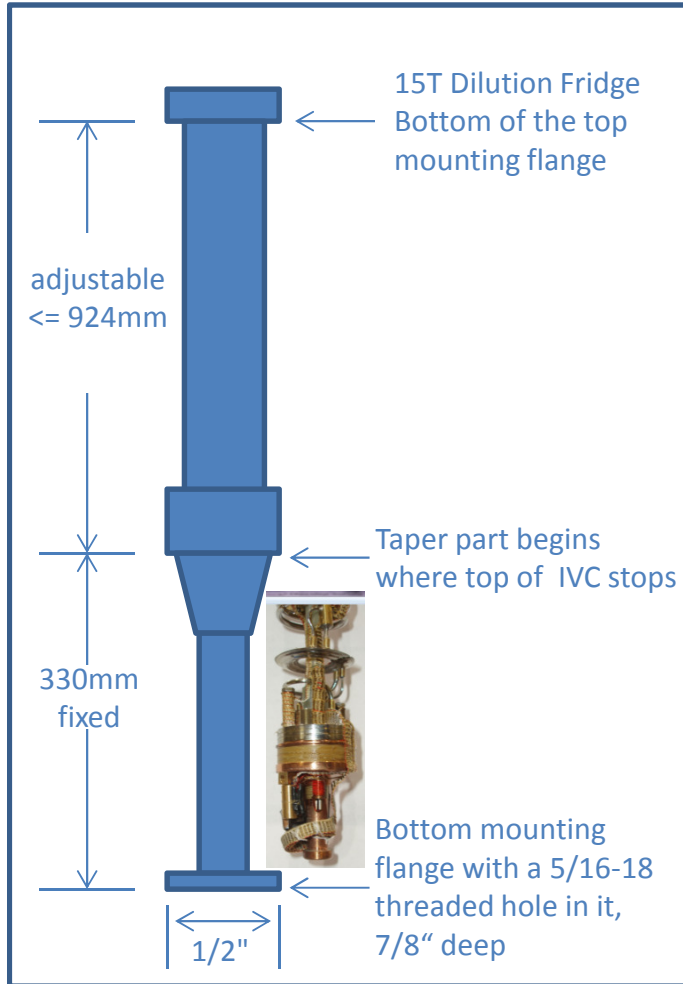
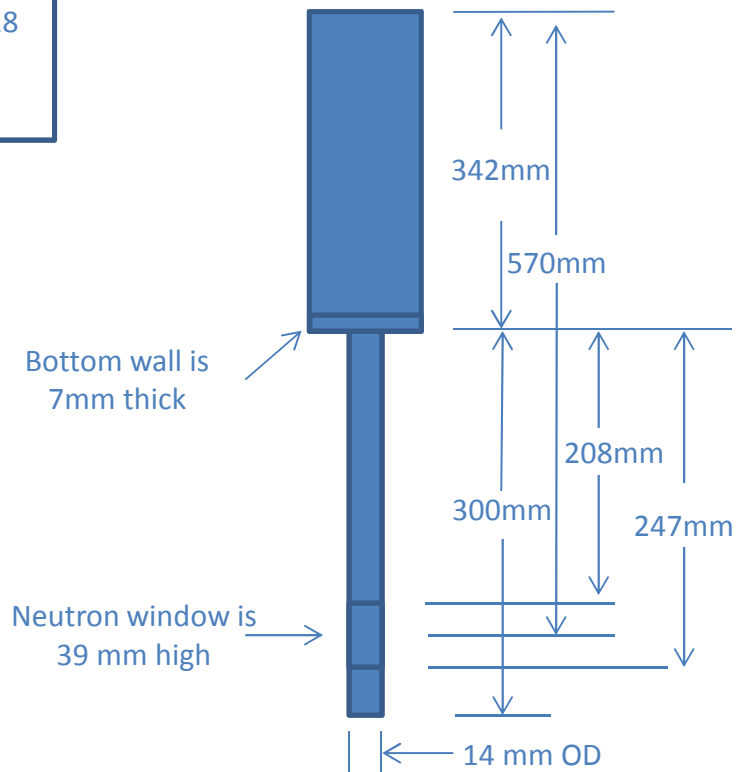


Dilution Fridge and ICEoxford OC

Sample Mounting and Height Adjustment



Golden IVC use with 15T magnet



For using with ICEoxford OC/HFBS OC, the distance between the top flange to beam center is 1305mm, plus 4mm Oring =1309mm. With the 15T DR's flange on the very top position, after mounting the cylindrical IVC, the distance between the bottom of the flange and the center of the neutron window is 1310 mm. Perfect fit!

There is 1.5mm space between the top of IVC and top of the taper part. After mounting on the IVC, $924+1.5+384.5=1310$ mm. So the **center of sample needs to be 384.5+1.5-330=56 mm below the MC mounting hole**. Maximum length is 90 mm. Otherwise touching the IVC bottom. **Active length is 56+-29cm**. Sample **diameter ≤ 33 mm**. Sample holder needs to have a 5/16-18 **bolt $\leq 3/8$ " long** or a 5/16-18 threaded hole.

A 12mm long copper adapter has been made so 56 mm can be reduced to 44 mm.