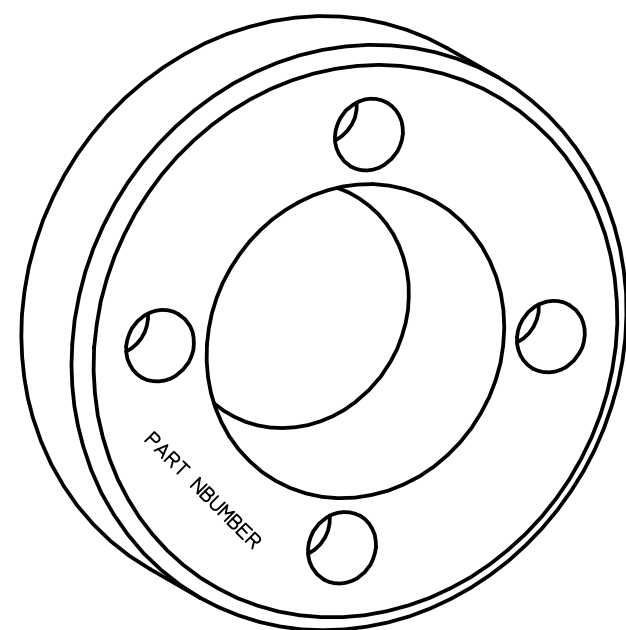
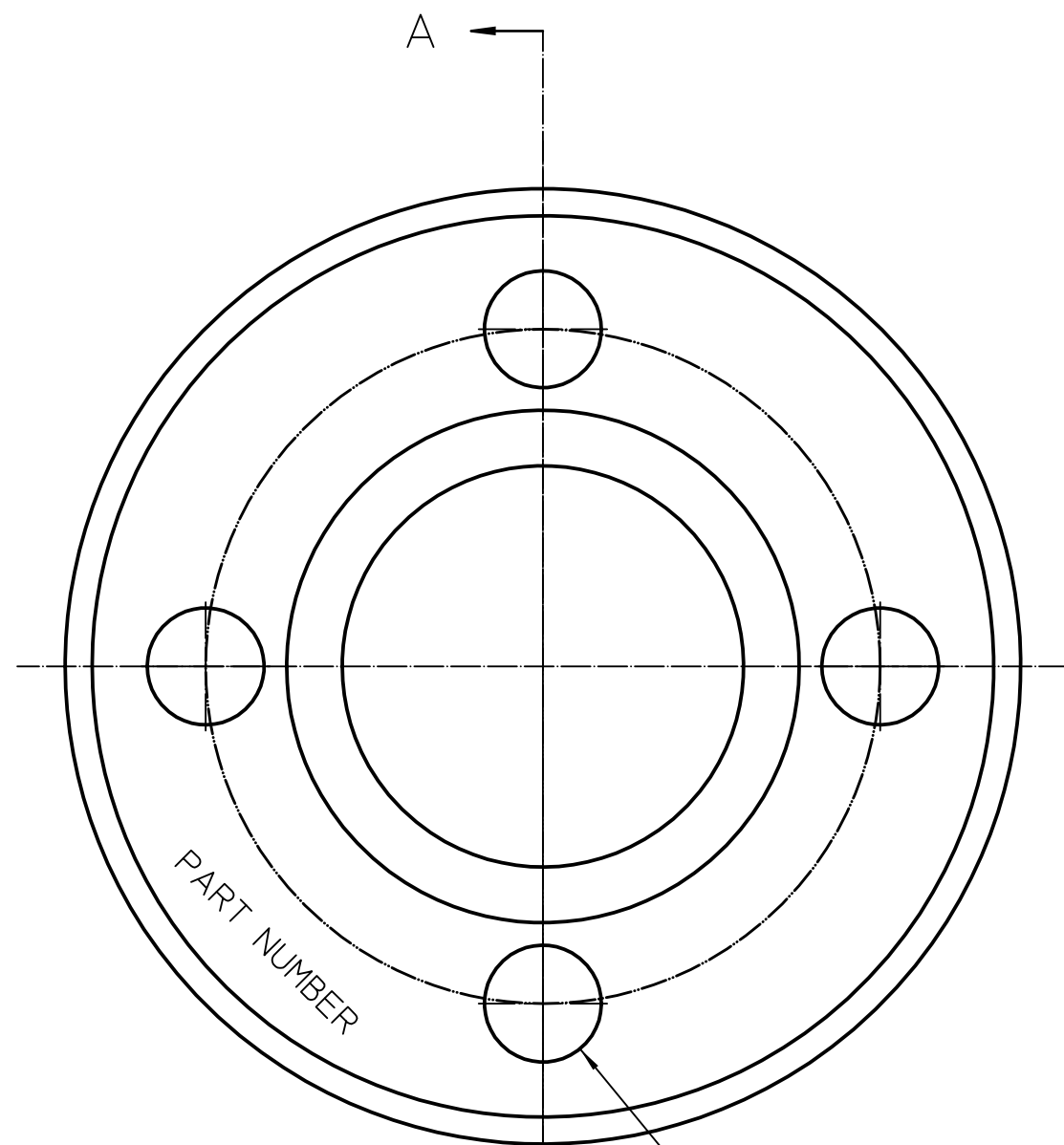


REVISIONS				
No.	ZONE	ECN	CHANGE	DATE
1				

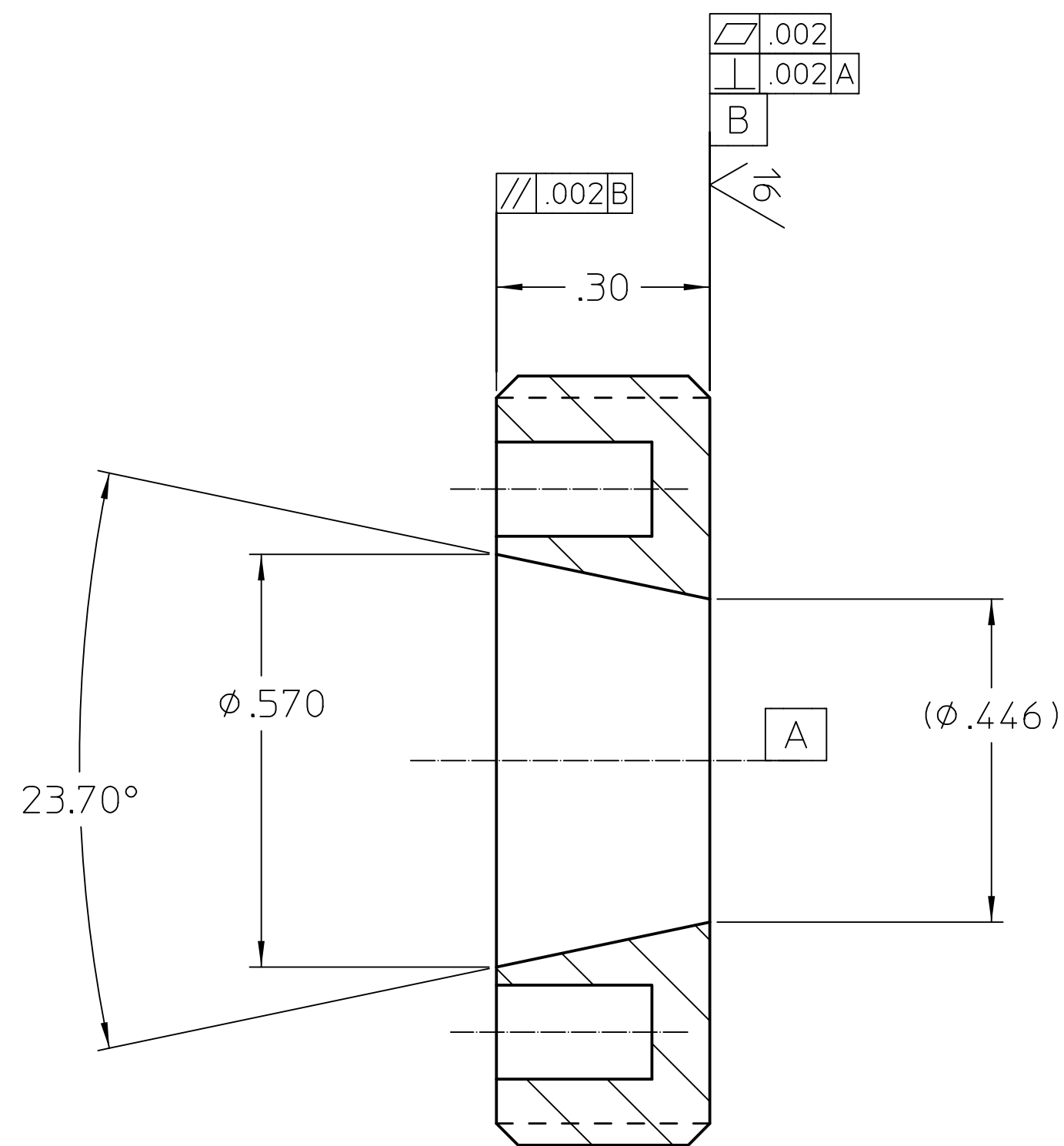


GEN1  
SCALE 3:1



4X  $\phi$ .130  $\nabla$  .215  
EQY SP ON  
A  $\phi$ .750 BC

FRONT1



1 1/16-18 UNEF-2A

SECTION A-A

NOTES:  
1. REMOVE ALL BURRS AND SHARP EDGES.  
2. MILL PART NUMBER WHERE INDICATED USING 1/8 CHARACTERS WITH A  $\nabla$  OF .01 INCHES.

MATERIAL SPECIFICATION		APPROVALS		UNLESS OTHERWISE SPECIFIED DIMENSIONS ARE IN INCHES TOLERANCES ARE:	
MATERIAL STAINLESS STEEL, TYPE 304	ENGR work	DATE 2/23/17 10:28 AM	DO NOT SCALE DRAWING		<b>NIST</b> National Institute of Standards and Technology U.S. Department of Commerce 100 BUREAU DRIVE GAITHERSBURG, MD, 20899
FORM PLATE	ENGR MNGR	DATE	FOR		
MODEL DATA	VERSION	SHEETS	SIZE		
MODEL NAME Pressure_vessel_plug2	DATE 2/22/17 4:06 PM	1	DWG No.		
CREATOR colin	DRAFTER allen	DATE 2/23/17 10:28 AM	SCALE 5:1		REV 1
THIRD ANGLE PROJECTION	LAST UPDATE BY allen	DATE 2/27/17 11:58 AM	PHONE NUMBER (301) 975-5142		SHEET 1 of 1
			EMAIL ADDRESS colin.wrenn@nist.gov		RELEASE DATE

CENTER FOR NEUTRON RESEARCH		
<b>PLUG, PRESSURE VESSEL - #2</b>		
SCALE 5:1	RELEASE DATE	SHEET 1 of 1
DIM. & TOL. PER ANSI Y14.5M-1982		