

Instruction Manual
Circulator HAAKE
C1, DC1, DC3, DL3, DC5
including all Baths

Table of Contents

1. Key to Symbols	4
1.1 Symbols used in this manual	4
1.2 Symbols used on the unit	4
2. Quality Assurance	5
3. Your Contacts at HAAKE	5
4. Safety Notes	6
5. Unit Description	8
5.1 Safety features	8
5.2 Safety classes according to DIN 12879	9
5.3 Applications	10
5.4 Temperature ranges	10
5.5 Unit combinations	10
6. Unpacking / Setting Up	11
6.1 Transportation damage?	11
6.2 Information concerning the CE sign	11
6.3 Ambient conditions according to DIN EN 61010	12
6.4 Resting time after transportation (only for refrigerated circulators)	12
6.5 Ventilation	12
7. Functional and Operating Elements	13
7.1 Temperature control module C1	13
7.2 Temperature control module DC1	14
7.3 Temperature control modules DC3 and DC5	15
7.4 Bath vessel "W" (example model) and "B3"	16
7.5 Bath vessel "V"	17
7.6 Bath vessel K15	18
7.7 Bath vessel K20	19
8. Assembly	20
8.1 Immersion circulators with bracket mounting	23
8.2 Open-bath circulators with angled mountings	24
8.3 Open-bath circulators with bath bridge and stainless steel or polyacrylic baths	25
8.4 Open-bath and heating circulators with bath bridge H33 and polyacrylic bath	26
8.5 Heating circulators with bath vessel B3 Refrigerated circulators with cooling bath K15 or K20	27
8.6 Subsequently fitting a cooling coil	28
8.7 Fitting a lifting platform to the bridge	29
8.7.1 Lifting platforms 333-0217 and 333-0227	29

Table of Contents

9. Connecting Hoses	30
9.1 Plastic hoses	30
9.2 HAAKE metal hoses	31
9.3 Tap water cooling	32
9.3.1 Connection to cooling water	32
9.4 External Cooling Devices	32
9.5 Pressure pump	33
9.5.1 Temperature controlling an object in the internal bath	33
9.5.2 Connection of external closed systems	33
10. Filling with Bath Liquid	34
10.1 Recommended bath liquids	34
10.2 Filling with heat transfer liquid	36
11. Draining	37
12. Connecting Up	38
12.1 Connecting to the mains	38
12.1.1 Only for refrigerated baths K15, K20 and V	38
12.2 Checking the liquid circuit	38
12.3 Changing the mains plug	38
12.4 Fuses on the unit	39
13. Operating the C1	40
13.1 Switching on	40
13.2 Setting the desired temperature	40
13.3 Heating control lamp	40
13.4 Displaying the actual temperature	40
13.5 Excess temperature protection	40
14. Operating the DC1	41
14.1 Switching on	41
14.2 Setting the desired temperature	41
14.3 Heating control lamp	42
14.4 Displaying the actual temperature	42
14.5 Excess temperature protection	43
15. Operating the DC3, DL3 and DC5	44
15.1 Switching on	44
15.2 Starting up again after a power failure	44
15.3 Displaying the software version	45
15.4 Setting the set temperature	45
15.5 Heating control lamp	46
15.6 Displaying the actual temperature	46
15.7 Temperature limitation	48


Table of Contents


15.7.1	Subsequently altering the temperature limitation	48
15.8	RS232C Interface	49
15.9	The display cannot be altered	49
16.	Excess Temperature Protection	50
16.1	Excess temperature protection dial	50
16.1.1	Setting the excess temperature	51
16.1.2	Testing the cut-off point	51
17.	Fault Displays	52
17.1	C1 and DC1	52
17.1.1	Excess temperature or low liquid level	52
17.1.2	Motor or pump overloading	52
17.2	DC3, DL3 and DC5	53
17.2.1	Excess temperature	53
17.2.2	Low liquid level	53
17.2.3	Pump or motor overloading	53
17.2.4	Sensor breakage or short circuit	54
17.2.5	Undefined fault	54
17.2.6	Range exceeded	54
17.2.7	Parity fault	54
17.2.8	External fault	54
17.2.9	Fault eliminated?	54
18.	Testing the Safety Features	55
18.1	Excess temperature protection	55
18.2	Low liquid level protection (for the DC3, DL3 and DC5)	55
19.	RS232C Interface for DC5	56
19.1	Connecting the DC5 to a computer	56
19.2	Interface parameters	57
19.3	Requirements made of external units	58
19.4	Setting the desired set value	58
19.5	Correction value	58
19.6	Commands for DC5 circulators	59
19.7	DC5 keys	60
19.8	Operating status	60
19.9	Example of a BASIC program	61
20.	Cooling (only for K15, K20 or V)	62
21.	Maintenance	63
21.1	Cleaning the fins of the liquefier	63
21.2	Discarding the unit:	63
22.	Technical Specifications	64
22.1	Dimensions, material and the permissible temperature ranges of the baths	64
22.2	Technical specifications of the refrigerated baths ..	64
22.3	Technical specifications of the temperature control modules acc. to DIN 58966	65
22.4	Fuse values	66

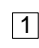
Key to Symbols

1. Key to Symbols

1.1 Symbols used in this manual


 Warns the user of possible damage to the unit, draws attention to the risk of injury or contains safety notes and warnings.


 Denotes an important remark.

 Indicates the next operating step to be carried out and...


⇒ ...what happens as a result thereof.


1.2 Symbols used on the unit


 Caution: Read the instruction manual!

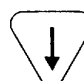

 Heating display light
on = the unit is heating; *off* = the unit is not heating

 Temperature fine adjustment


 Fault display light
on = the unit has a fault; *off* = the unit works properly

 Adjustment possibility for setting the cut-off point for excess temperature protection

 Menu selection

  Value alteration (↑) higher / (↓) lower

 Enter key

 Reset button (for usage after a fault or interruption)

Quality Assurance / Your Contacts at HAAKE

2. Quality Assurance

Dear customer,

HAAKE implements a **Quality Management System** certified according to EN 29001.

This guarantees the presence of organizational structures which are necessary to ensure that our products are developed, manufactured and managed according to our customers expectations. Internal and external audits are carried out on a regular basis to ensure that our **QMS** system is fully functional.

We also check our products during the manufacturing process to certify that they are produced according to the specifications as well as to monitor correct functioning and to confirm that they are safe. This is why we initiate this monitoring process of important characteristics already during manufacturing and record the results for future reference.

The "Final Test" label on the product is a sign that this unit has fulfilled all requirements at the time of final manufacturing.

Please inform us if, despite our precautionary measures, you should find any product defects. You can thus help us to avoid such faults in future.

3. Your Contacts at HAAKE

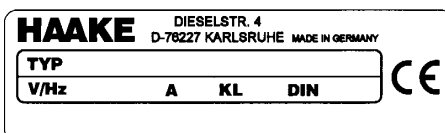
Please get in contact with us or the authorized agent who supplied you with the unit if you have any further questions.

Gebrüder HAAKE GmbH,
Dieselstrasse 4,
D-76227 Karlsruhe
GERMANY

Tel. +49 (0)18050HAAKE
or +49 (0)721 4094-444
Fax +49 (0)721 4094-418
E-mail haake_helpdesk@bigfoot.com

The following specifications should be given when product enquiries are made:

- **Unit name** printed on the front of the unit,
- **TYP** as specified on the name plate.



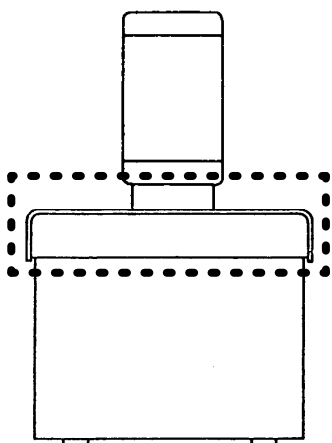
Safety Notes

4. Safety Notes

These notes are intended to draw your attention to risks which only **YOU** can recognize and avoid or overcome. They are intended to enhance your own safety consciousness. We have set the highest quality standards for ourselves and this unit during development and production. Every unit meets relevant safety regulations. **The correct unit usage and proper handling is however solely your responsibility.**

The intended workplace should correspond to a laboratory or pilot plant environment. The user should have an education level which is at least equivalent to a trained laboratory worker or specialized chemist. The following list should be seen as an example.

- ! **The device may not be operated if there are any doubts regarding a safe operation due to the outer appearance (e.g. damages).**
- ! **A safe operation of the instrument cannot be guaranteed if the user does not comply with this instruction manual.**
- ! **Ensure that this manual is always at hand for every unit operator.**
- ! **Only use this unit solely for the intended application.**
- ! **Repairs, alterations or modifications must only be carried out by specialist personnel. Considerable damage can be caused by improper repairs. The HAAKE service department is at your disposal for repair work.**
- ! **Do not operate the unit with wet or oily hands.**
- ! **Do not expose the unit to spray water or immerse it in water.**
- ! **Do not clean the unit with solvents (fire risk!), a wet cloth soaked in household detergent is normally sufficient.**
- ! **This device is not designed according to the standard EN 60601-1: 1990 (DIN VDE 0750-1 and IEC 601-1) and should not be operated in rooms used for medical purposes and/or in the vicinity of patients.**
- ! **Many units parts can become hot as a result of normal unit functioning – there is a high risk of burns!**
The overall temperature of the marked zone (see fig.) will become higher than 70°C when the bath temperature exceeds approx. 150°C. Please ensure that adequate contact protection is provided.
- ! **Do not move the unit from the position where it was set up during operation or when it is still hot. There is a high risk of burns!**
- ! **Only use heat transfer liquids recommended by HAAKE. Please refer to the respective EC Safety Data Sheet.**



Safety Notes

! The temperature controlling i.e. immersing of test tubes, Erlenmeyer flasks or similar objects directly within the circulator constitutes normal circulator practise.

We do not know which substances are contained within these vessels. Many substances are dangerous:


- inflammable, easily ignited or explosive
- hazardous to health
- environmentally unsafe

You alone are responsible for the handling of these substances! Our advice:


- If in doubt, consult a safety specialist.
- Read the product manufacturer's or supplier's EC Safety Data Sheet according to directive 91/155/EEC.
- Read relevant regulations concerning dangerous materials.
- Observe relevant guidelines for laboratories in your country.


The following measures were taken for the protection of the operator:

- Protection Class I according to VDE 0106 T1 i.e. protection against electric shocks by grounding all parts which carry the risk of electric contact.

 The device must only be connected to mains receptacles with a protective ground.

- Protection IP 20 according to EN 60529 i. e. regarding the protection against accidentally touching live parts and damage by foreign matter, it has been ensured that foreign bodies with a thickness or diameter of more than 12 mm cannot penetrate.

 No special precautions were taken against the penetration of water and dust. The device should therefore not be used in a dusty atmosphere or in the neighborhood of spray water.

 Do not insert wires or tools in any of the openings.

! Complete separation from the mains is required when:

- all dangers caused by this device are to be avoided,
- cleaning is carried out,
- repairs or maintenance by specialist personnel is about to be carried out

Complete separation means:

Pull out the mains plug!

Unit Description

5. Unit Description

All units fulfill the requirements of safety classes 1W or 2 according to DIN 12879 and are thus suitable for unsupervised continuous operation.

The circulator pump motor is protected against thermal overloading.

5.1 Safety features

The comprehensive safety system is designed on the principle of the concept of the “single fault” (EN 61010). This assumes that two separate faults do not occur simultaneously. This system therefore offers protection against *one* (single) fault. This one fault will effectively occur automatically if you...

- do not read this manual,
- do not correctly set the excess temperature protection, i.e. your safety reserves have already been used up.

Such faults can include e.g.:

Fault in the temperature control unit:

⇒ Excess temperature ⇒ poss. fire danger

Leakage in the liquid circuit or Evaporation of heat transfer liquid:

⇒ Low liquid level ⇒ poss. fire danger,
destruction of
polyacrylic bath vessel

Pump blocked or Heat transfer liquid is too highly viscous:

⇒ Motor overheating ⇒ poss. fire danger

Or also:

Excess temperature protection level not correctly set:
⇒ poss. fire danger

Unit Description

5.2 Safety classes according to DIN 12879

Safety class 1W:

The unit can only be used with non-flammable liquids such as *water* or *water + antifreeze*.

The safety element measures the surface temperature of the heating element. If this exceeds a certain temperature (due to e.g. a leakage in the liquid circuit or a liquid shortage), the safety element is triggered.

The HAAKE C1 and DC1 circulators exceed this standard and also offer the possibility of setting this cut-off temperature variably.

Safety class 2:

A variably adjustable excess temperature protection and independent low liquid level protection which is preset to the lowest level allow the usage of different heat transfer liquids.

These safety features are incorporated within the HAAKE circulators DC3, DL3 and DC5.

If a safety feature is triggered...

- fault display lights (for the C1 and DC1) or the Fault Identification System (FIS) and an acoustic signal (for the DC3, DL3 and DC5) indicate the fault,
- the **safety-relevant components** of the heating unit (heating element and motor) are switched off immediately i.e. the safety circuit transfers the unit to a stable, safe condition,
- the heat transfer liquid in the heating unit gradually adjusts to ambient temperature, but...

! For units with switched on compressor cooling, this cooling remains functional and thus cools the heat transfer liquid to the lowest reachable temperature.

Unit Description

5.3 Applications

Open-bath circulators:

For temperature controlling samples within the circulator's own bath.

Heating and refrigerated circulators:

For temperature controlling closed temperature control circuits such reactors, heat exchangers or similar objects.

Separate open vessels cannot be temperature controlled as these circulators are only equipped with a pressure pump.

5.4 Temperature ranges

Working temperature range:

The temperature range of the circulator without additional heating or cooling sources.

Operating temperature range:

The temperature range of the circulator which can be reached if additional heating or cooling sources are used.

Tap water can be used as a cooling source. In this case the minimum working temperature possible is approx. 3°C above that of the tap water temperature.

! High operating temperatures mean the unit surfaces heat up. Protective measures must be taken!

Mains cable:

The mains cables used for the temperature control modules DC3, DL3 and DC5 are specially designed for usage with heating elements. They can be allowed to come into contact with parts which are heated up to a temperature of **max. 250°C**.

! Warning for maintenance personnel: Please ensure that the same sort of cable is used in case of replacement!
(HAAKE order no. 082-2409)

5.5 Unit combinations

A complete, ready-to-use circulator always consists of a temperature control module (C1, DC1, DC3, DL3 or DC5), a bath vessel (B3, K15, K20, W13, etc.) and a connecting element which attaches the temperature control module to or on the bath.

Unpacking / Setting Up

6. Unpacking / Setting Up

6.1 Transportation damage?

- Notify carrier (forwarding merchant, railroad) etc.
- Compile a damage report.

Before return delivery:

- Inform dealer or manufacturer
(Small problems can often be dealt with on the spot).

6.2 Information concerning the CE sign

HAAKE circulators and cryostats carry the CE sign which confirms that they are compatible with the EU guideline 89/336/EEC (electromagnetic compatibility). The tests are carried out according to module H (official sheet L380 of the European Community) as our quality assurance system is certified according to DIN / ISO 9001.

The specialist basic standards to be applied are EN 50081-2 for interference emission and EN 50082-2 for interference resistance. The following tests were carried out:

<u>for</u>	<u>according to</u>
EN 50081	EN 55011 class B (interference voltage) EN 55011 class B (interference radiation)
EN 50082	EN 61000-4-2 (discharging static electricity) ENV 50140 (electromagnetic HF field, amplitude modulated) EN 61000-4-4 (quick transient interference variable) ENV 50141 (high-frequency asymmetrical, amplitude modulated) EN 61000-4-8 (magnetic field with power-engineered frequency)

There are thus no limitations placed on usage. A declaration of conformity can be supplied with the ordered unit on request.

Our strict standards regarding minimum operating quality and the resulting considerable amount of time and money spent on development and testing reflect our commitment to guarantee the high level of quality of our products even under extreme electromagnetic conditions. Practice however also shows that even units which carry the CE sign such as monitors or analytical instruments can be affected if their manufacturers accept an interference (e.g. the flimmering of a monitor) as the minimum operating quality under electromagnetic compatibility conditions. For this reason we recommend you to observe a minimum distance of approx. 1 m from such units.

The CE-sign also certifies the conformity with the EU-directive 72/23/EWG (low voltage regulation). The applied standards are EN61010-1 and EN61010-2-010.

Unpacking / Setting Up

6.3 Ambient conditions according to DIN EN 61010

- indoors, max. 2000 meters above sea level,
- ambient temperature 5 ... 40° C,
- relative humidity max. 80%/31°C (→ 50%/40°C)
- excess voltage category II, contamination level 2

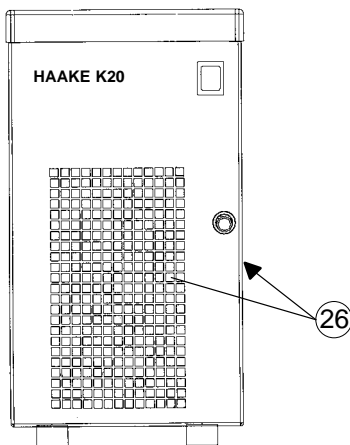
6.4 Resting time after transportation (only for refrigerated circulators)

As we can unfortunately not guarantee that our refrigerated circulators are always transported according to our recommendations (i.e. upright), lubrication oil can leak from the compressor into the cooling circuit.

If the refrigerated circulator is started up whilst still in this state, the compressor may be damaged to the lack of oil.

Therefore:

! Rest the unit for 24 hours after setting up.



6.5 Ventilation

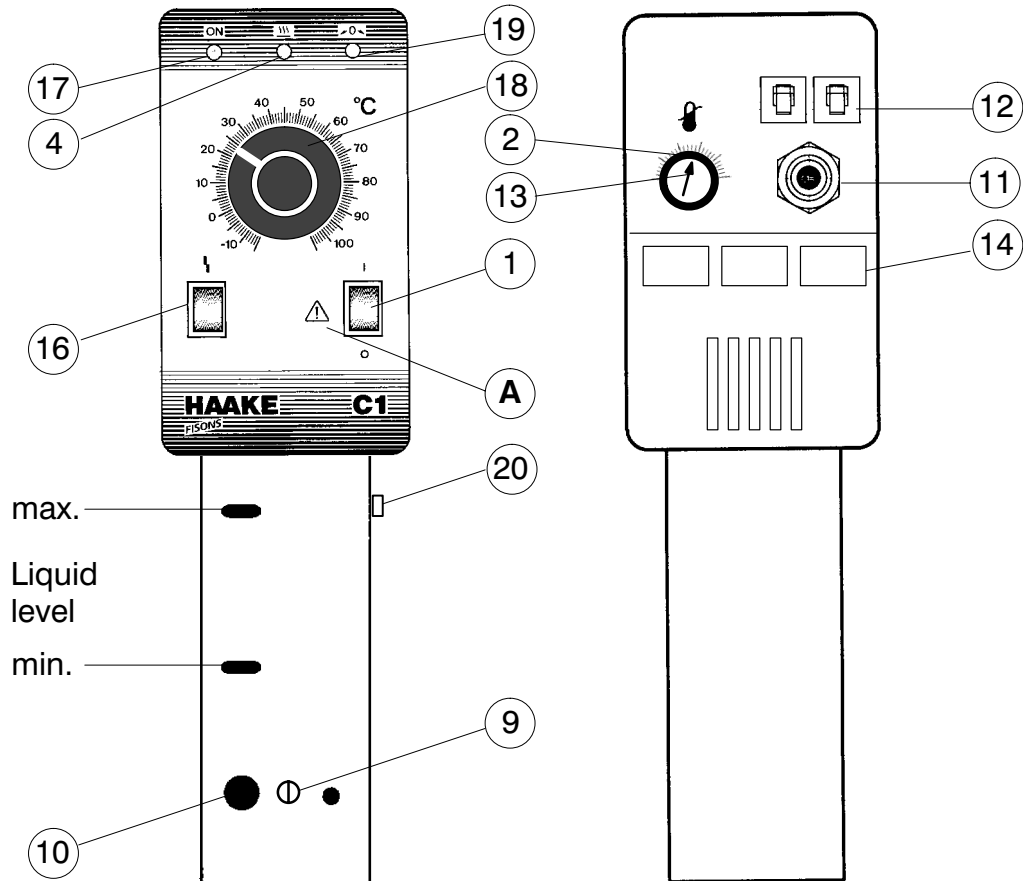
 Keep all ventilation grids **26** free from obstruction to ensure unhindered air circulation.

! Blocked ventilation grids lead to increased unit heating which in turn reduces the cooling capacity and thus impairs correct functioning.

Functional and Operating Elements

7. Functional and Operating Elements

7.1 Temperature control module C1

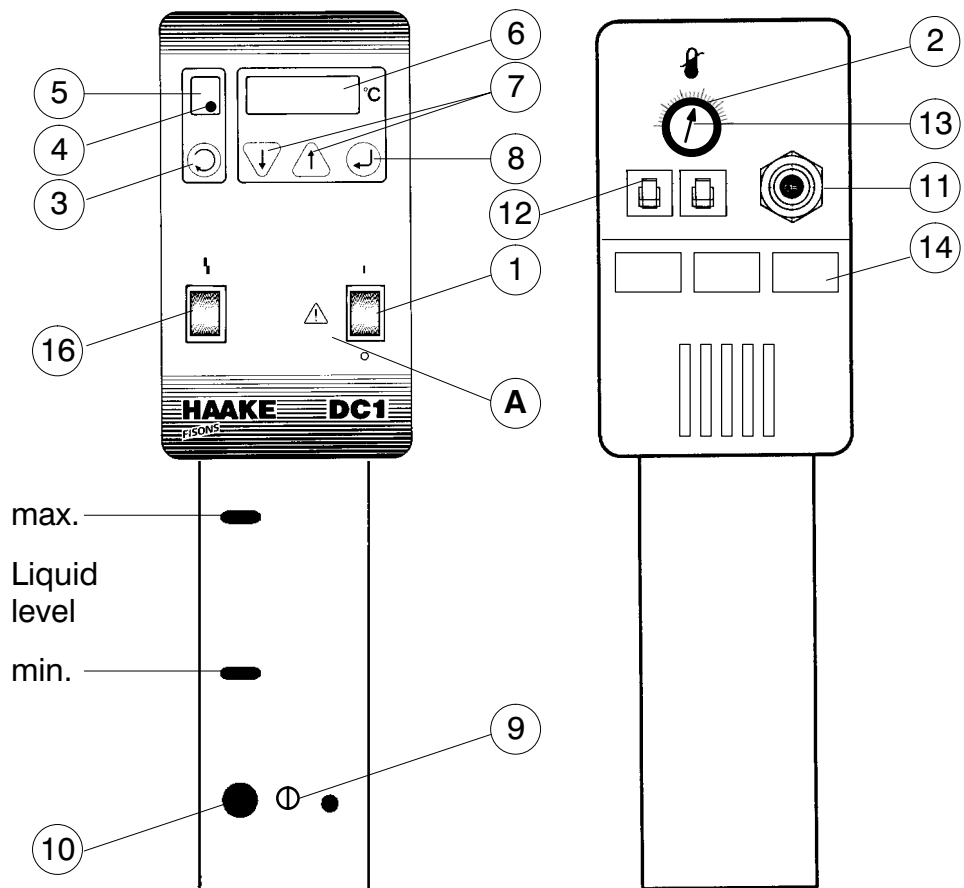


A Symbol: Read the instruction manual!

- 1 Mains switch
- 2 Reset button (outer ring of setting button)
- 4 Heating control display
- 9 Mounting screw for circulation set
- 10 Pump outlet
- 11 Mains cable
- 12 Fuses (if this fuse is triggered, see chap. 12.4)
- 13 Excess temperature setting dial
- 14 Air inlet opening
- 16 Fault display
- 17 Mains display LED
- 18 Temperature setting dial
- 19 Temperature fine-adjustment
- 20 Mounting screw for thermometer clamp (on both sides)

Functional and Operating Elements

7.2 Temperature control module DC1

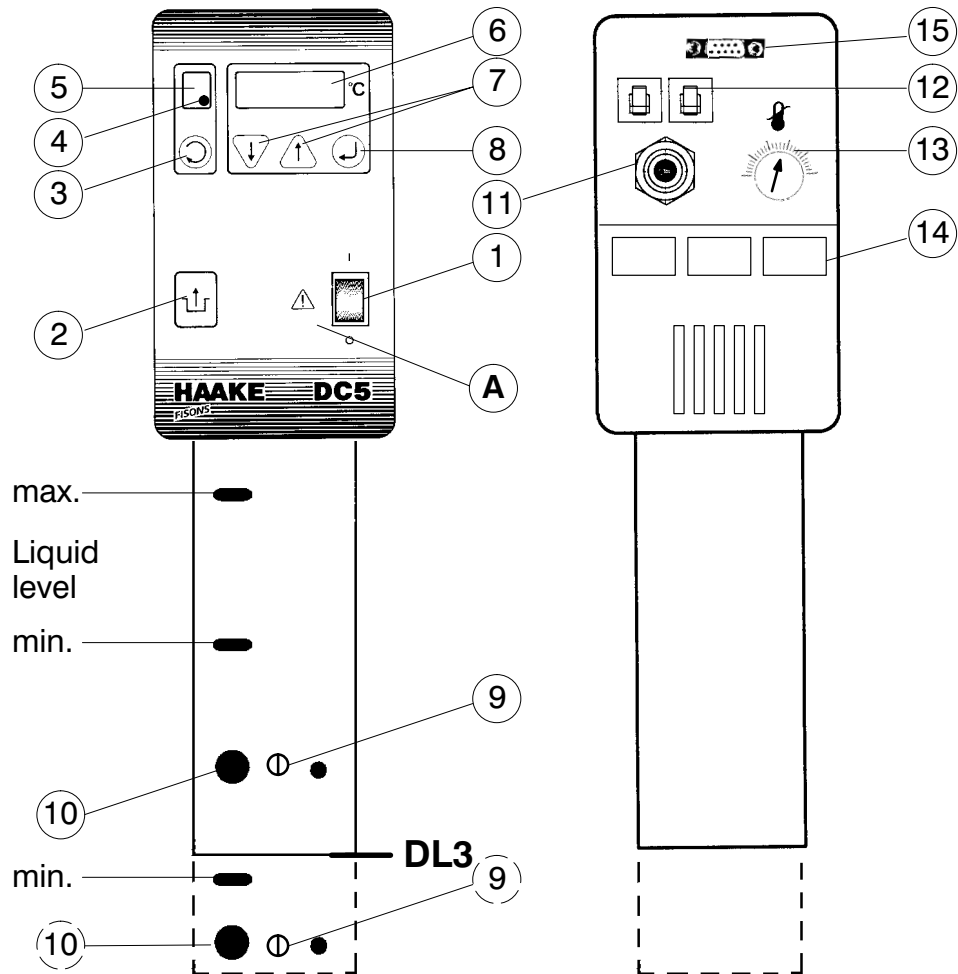


A Symbol: Read the instruction manual!

- 1 Mains switch
- 2 Reset button (outer ring of setting button)
- 3 Menu selection key
- 4 Heating control display
- 5 Menu position display
- 6 Set or actual temperature display
- 7 Value alteration (↑) higher / (↓) lower
- 8 Enter key
- 9 Mounting screw for circulation set
- 10 Pump outlet
- 11 Mains cable
- 12 Fuses (if this fuse is triggered, see chap. 12.4)
- 13 Excess temperature setting dial
- 14 Air inlet opening
- 16 Fault display

Functional and Operating Elements

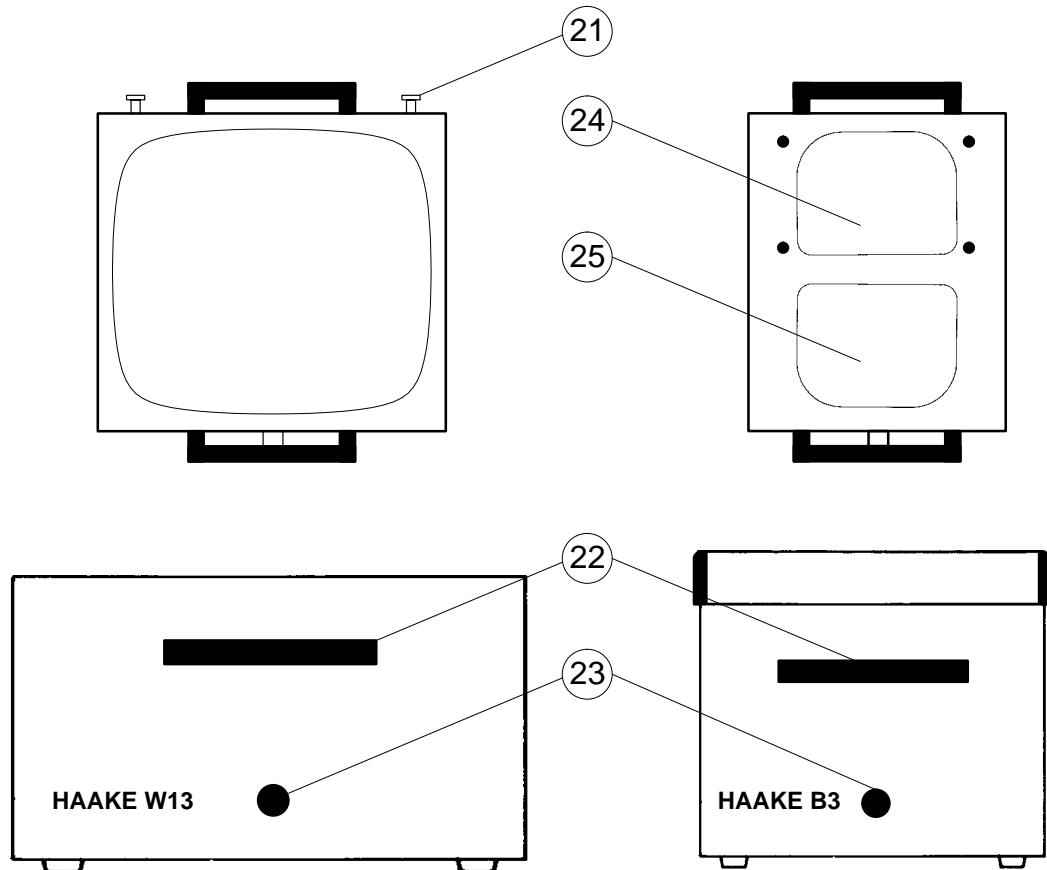
7.3 Temperature control modules DC3 and DC5 (externally identical; DC5 with additional RS232C interface). Temperature control module DL3 (extended version of the DC3 with deeper immersion depth)



- A Symbol: Read the instruction manual!
- 1 Mains switch
- 2 Reset button (also Start key)
- 3 Menu selection key
- 4 Heating control display
- 5 Menu position display
- 6 Set or actual temperature display / fault display
- 7 Value alteration (↑) higher / (↓) lower
- 8 Enter key
- 9 Mounting screw for circulation set
- 10 Pump outlet
- 11 Mains cable
- 12 Fuses (if this fuse is triggered, see chap. 12.4)
- 13 Excess temperature setting dial
- 14 Air inlet opening
- 15 RS232C interface (only DC5)

Functional and Operating Elements

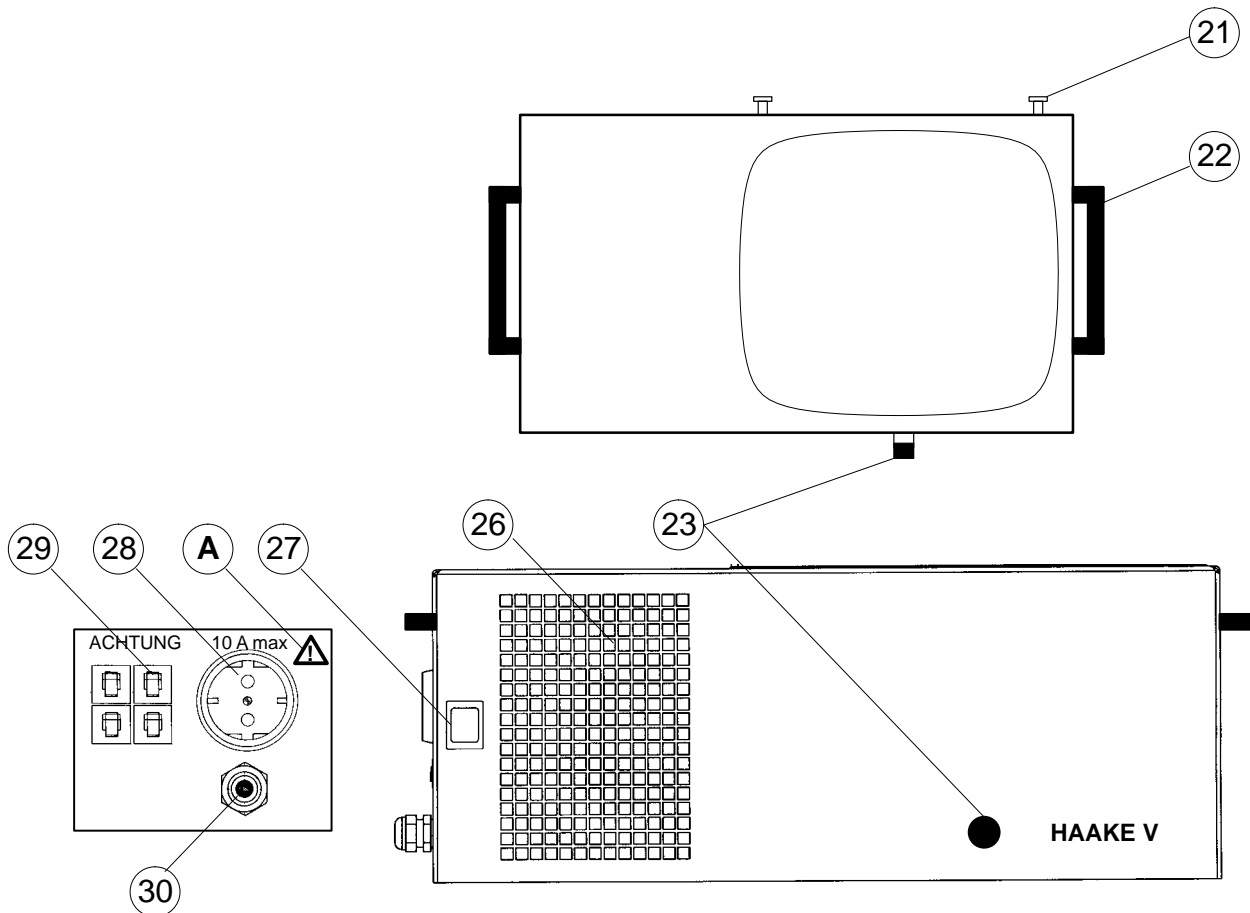
7.4 Bath vessel "W" (example model) and "B3"



- 21 Mounting screws for angled holder or bath bridge
- 22 Handle
- 23 Drainage nozzle
- 24 Opening for temperature control module with intermediate plate
- 25 Bath opening (with plastic bath covering as a standard feature)

Functional and Operating Elements

7.5 Bath vessel "V"

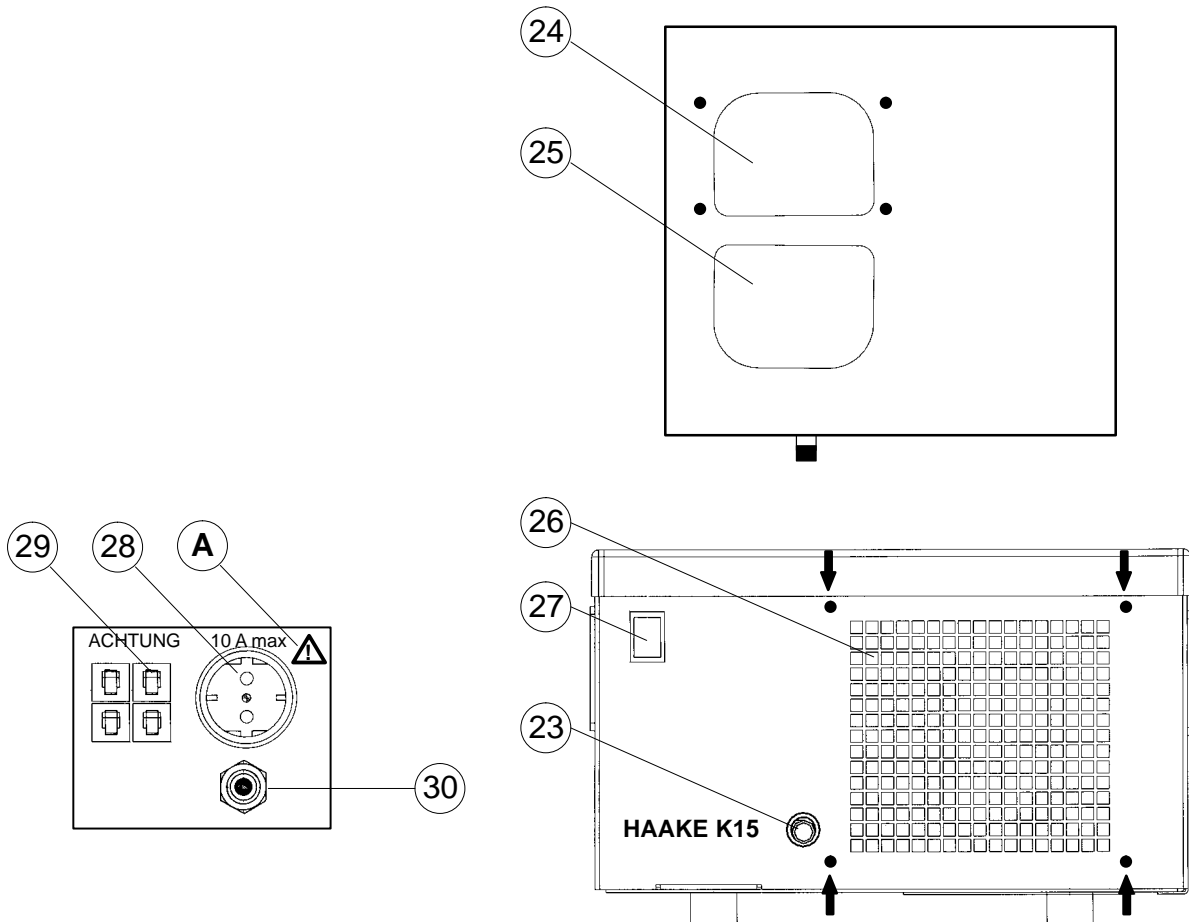


A Symbol: Read the instruction manual!

- 21** Mounting screws for angled holder or bath bridge
- 22** Handle
- 23** Drainage nozzle
- 26** Ventilation grid
- 27** Cooling unit mains switch
- 28** Mains socket for temperature control unit
- 29** Fuses (if this fuse is triggered, see chap. 12.4)
- 30** Mains cable

Functional and Operating Elements

7.6 Bath vessel K15

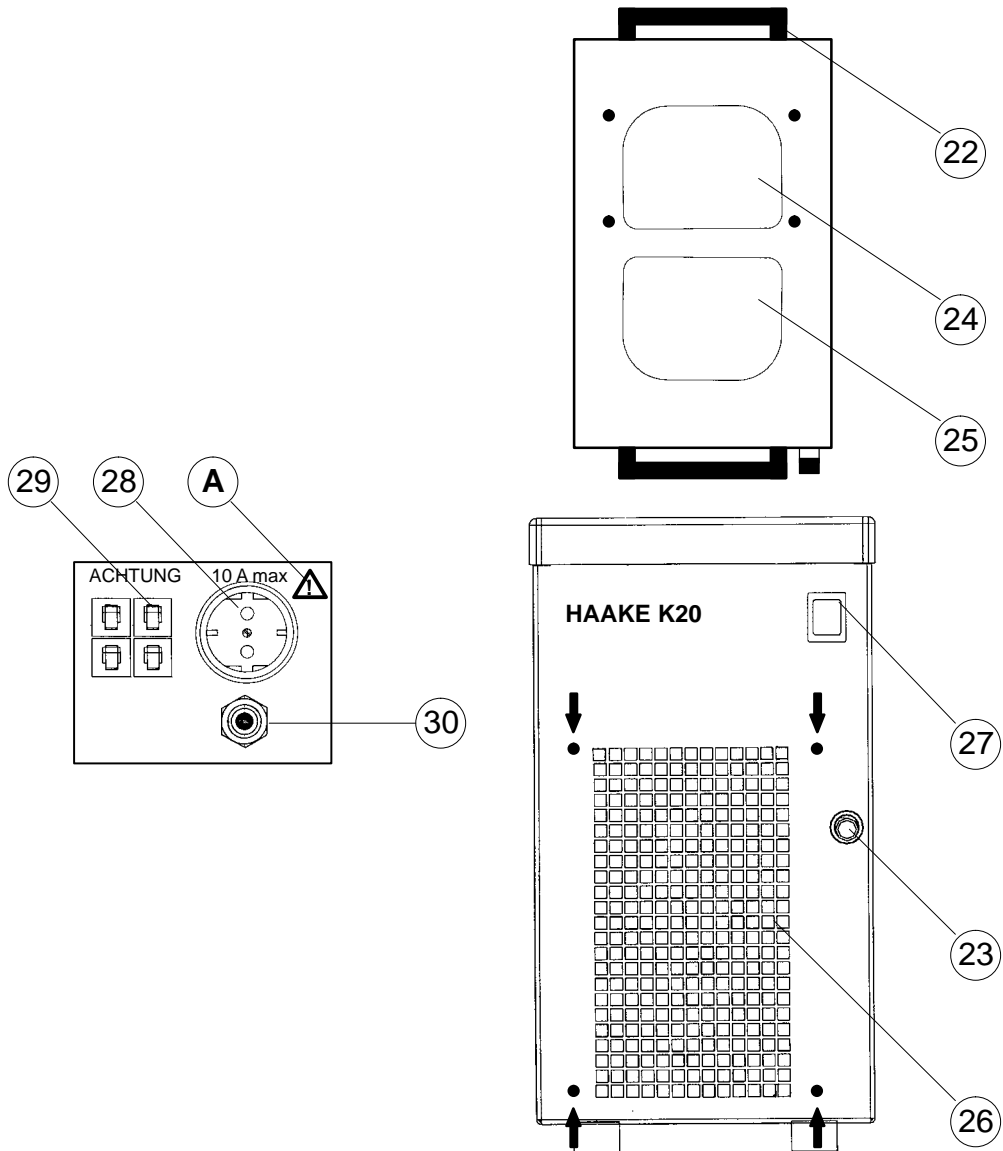


A Symbol: Read the instruction manual!

- 23** Drainage nozzle
- 24** Opening for temperature control module with intermediate plate
- 25** Bath opening (with plastic bath covering as a standard feature)
- 26** Ventilation grid (removeable, four mounting points: ↓)
- 27** Cooling unit mains switch
- 28** Mains socket for temperature control unit
- 29** Fuses (if this fuse is triggered, see chap. 12.4)
- 30** Mains cable

Functional and Operating Elements

7.7 Bath vessel K20



A Symbol: Read the instruction manual!

- 22** Handle
- 23** Drainage nozzle
- 24** Opening for temperature control module with intermediate plate
- 25** Bath opening (with plastic bath covering as a standard feature)
- 26** Ventilation grid (removeable, four mounting points:↓)
- 27** Cooling unit mains switch
- 28** Mains socket for temperature control unit
- 29** Fuses (if this fuse is triggered, see chap. 12.4)
- 30** Mains cable

Assembly

8. Assembly



The complete program is based on individual modular components which have all been separately tested to the highest standards. In order to guarantee a high degree of availability, the components are kept on stock as separate units by us, our dealers and representatives, and grouped together just prior to shipment to our customers according to their order. These units are packed individually in order to ensure safety during transport. Therefore there are a few simple assembly steps left to be carried out by the customer.

You require:

1 screwdriver – size no. 2 (for Phillips screws)

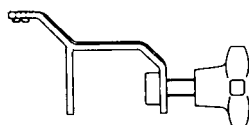
Follow the following steps:

You can find the correct page for the instructions for your respective unit in the table on the following page.

Assembly

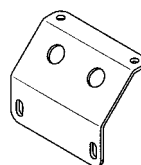
Assembly for all temperature control units C1, DC1, DC3, DL3 and DC5 is for the most part identical.

As an **immersion circulator** with bracket mounting



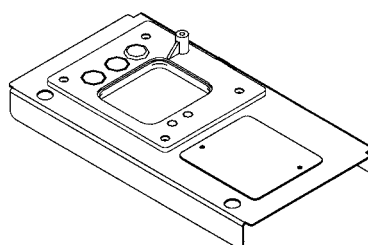
see **page 23**

As an **open-bath circulator** with angled mounting



see **page 24**

As an **open-bath circulator** with bath bridge



see **page 25**

As a combined **open-bath and heating circulator** with bath bridge **H33** and polyacrylic bath **W5P**

see **page 26**

As a **heating circulator** with bath vessel **B3**

see **page 27**

As a **refrigerated circulator** with bath vessel **K15** or **K20**

see **page 27**

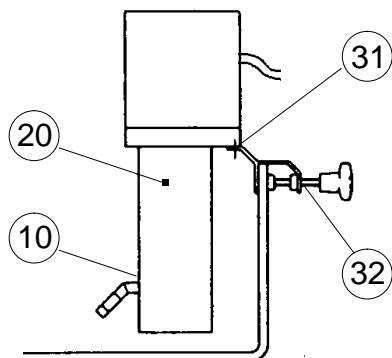
A model-orientated table of contents can be found on the next page.

Assembly

C1	Immersion circulator C1	Page 23
	Open-bath circulator (stainl. steel bath) C1-W13	Page 24
	Open-bath circulator (stainl. steel bath) C1-W19	Page 25
	Open-bath/Heating circulator (polyacr.) C1-W5P	Page 26
	Heating circulator C1-B3	Page 27
	Refrigerated circulator C1-K15	Page 27
	Refrigerated circulator C1-K20	Page 27
DC1	Immersion circulator DC1	Page 23
	Open-bath circulator (stainl. steel bath) DC1-W13	Page 24
	Open-bath circulator (stainl. steel bath) DC1-W19	Page 25
	Open-bath circulator (polyacr.) DC1-W12P	Page 25
	Open-bath circulator (polyacr.) DC1-W18P	Page 25
	Open-bath circulator with cooling DC1-V	Page 24
	Heating circulator DC1-B3	Page 27
	Refrigerated circulator DC1-K15	Page 27
DC3	Immersion circulator DC3	Page 23
	Open-bath circulator (stainl. steel bath) DC3-W15	Page 24
	Open-bath circulator (stainl. steel bath) DC3-W26	Page 25
	Open-bath circulator with cooling DC3-V	Page 24
	Open-bath/Heating circulator (polyacr.) DC3-W5P	Page 26
	Heating circulator DC3-B3	Page 27
	Refrigerated circulator DC3-K15	Page 27
	Refrigerated circulator DC3-K20	Page 27
DL3	Immersion circulator DL5	Page 23
	Open-bath circulator DC5-W26	Page 25
	Open-bath circulator DC5-W45	Page 25
	Open-bath circulator DC5-W46	Page 25
DC5	Immersion circulator DC5	Page 23
	Open-bath circulator (stainl. steel bath) DC5-W26	Page 25
	Open-bath circulator (stainl. steel bath) DC5-W45	Page 25
	Open-bath circulator (stainl. steel bath) DC5-W46	Page 25
	Heating circulator DC5-B3	Page 27
	Refrigerated circulator DC5-K20	Page 27

Assembly

8.1 Immersion circulators with bracket mounting



- 1 Screw angled nozzle onto pump outlet 10.

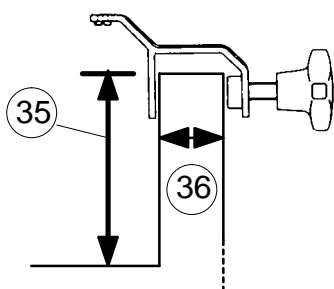
Attach bracket mounting for bath vessel 32:

- 2 Stand the temperature control module upside-down,

! Dry unit first if necessary, in order to avoid exposing the electronics to water penetration.

- 3 Unscrew pair of screws 31 and remove spacers

- 4 Attach bracket mounting using these screws.



- 5 **For the C1:**

Attach the control thermometer bracket to the casing screw 20 at the side. This is possible on both the right or left side.

All containers which fulfill the following conditions can be used as the bath vessel:

- perpendicular walls,
- corrosion-resistant,
- minimum bath depth 150 mm (DL3 = 250 mm) (35),
- wall thickness max. 26 mm (36).

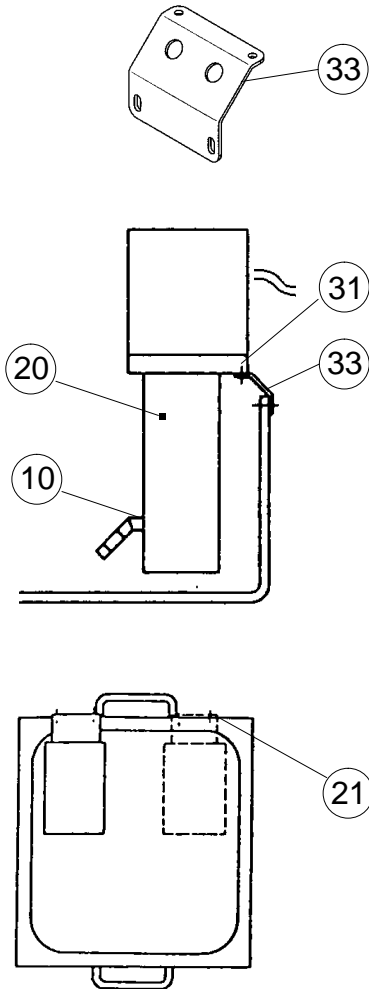
! Polyacrylic and other plastic vessels are instable at higher temperatures, therefore:

- Only use under supervision!
- Set the excess temperature protection accordingly (*below* 65°C for polyacrylic baths)!
- The usage of a bath bridge is recommended in order to avoid a one-point load on the bath vessel!

 **Further on page 34 "Filling".**

An explanation on how to mount an optional cooling coil can be found on page 28. Afterwards further on page 32.

Assembly



8.2 Open-bath circulators with angled mountings

- 1 Screw angled nozzle onto pump outlet **10**.

Attach angled mounting for bath vessel **33**:

- 2 Stand the temperature control module upside-down,
! **Dry unit first if necessary, in order to avoid exposing the electronics to water penetration.**
- 3 Unscrew pair of screws **31** and remove spacers,
- 4 Attach bracket mounting using these screws.

- 5 Attach the temperature control module to the rear side of the bath using the thumbwheel screws **21**.

- 6 **For the C1:**
Attach the control thermometer bracket to the casing screw **20** at the side. This is possible on both the right or left side.

 **Further on page 34 "Filling".**

*An explanation on how to mount an optional **cooling coil** can be found on **page 28**. Afterwards further **on page 32**.*

Assembly

8.3 Open-bath circulators with bath bridge and stainless steel or polyacrylic baths

Preparation:

- 1 Stand the temperature control module upside-down, **! Dry unit first if necessary, in order to avoid exposing the electronics to water penetration.**
- 2 Unscrew pair of screws **31** and remove spacers,
- 3 Slide the seal **34** over the shaft up to shortly before the screw heads **34a**. Please note the the screws are not symmetrically aligned!
Rotate the seal accordingly.

Mounting the bridge:

- 4 Slide the bridge **37** over the shaft as far as the seal **34**. Now slide it and the seal as far as the screw heads or stopper.
- 5 Insert the screws **31** through the bridge and screw tight (insert 50 mm extension piece if necessary for bridge H34 and use sheet casing).
- 6 Screw angled nozzle onto pump outlet **10**.

The seal **34** may have to be pressed slightly into the respective recess from above.

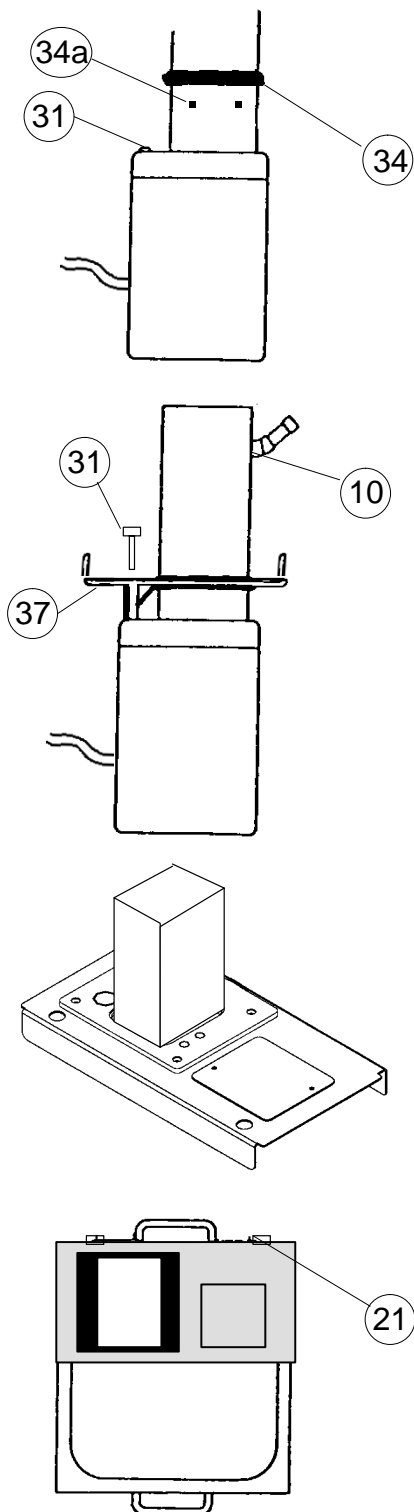
Mounting the bridge onto the bath vessel:

- 7 Attach the bridge to the bath vessel with the thumb-wheel screws **21** (bridge overlaps; only tighten screws lightly).
- 8 Fit the supplied conical bungs in the thermometer holes in the bridge.

 **Further on page 34 "Filling".**

An explanation on how to mount an optional cooling coil can be found on page 28. Afterwards further on page 32.

An explanation on how to mount an optional lifting platform can be found on page 29.



Assembly

8.4 Open-bath and heating circulators with bath bridge H33 and polyacrylic bath

Preparation:

- 1 Stand the temperature control module upside-down,
! Dry unit first if necessary, in order to avoid exposing the electronics to water penetration.
- 2 Unscrew pair of screws **31** and remove spacers,
- 3 Slide the seal **34** over the shaft up to shortly before the screw heads **34a**. Please note the the screws are not symmetrically aligned!

Mounting the bridge:

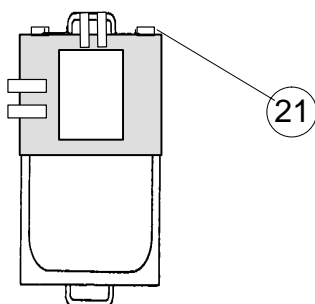
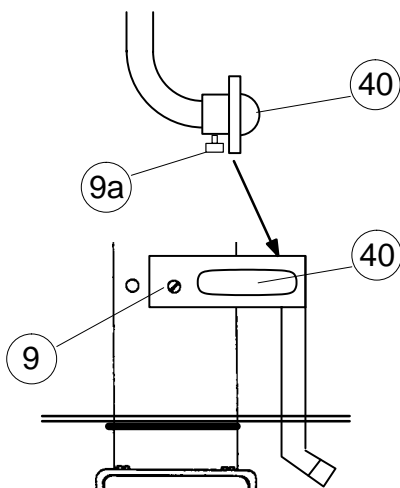
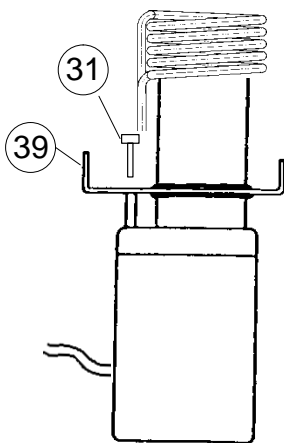
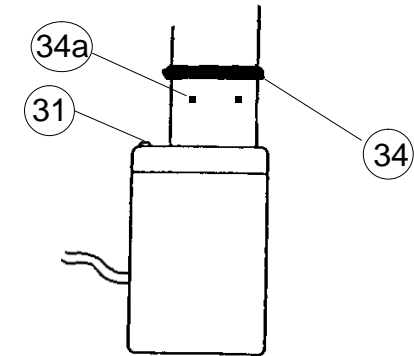
- 4 Slide the bridge with the accessories already fitted over the shaft as far as the seal **34** (with the drilling **39** towards the back). The cooling coil now surrounds the shaft.
 Now slide the bridge and the seal as far as the screw heads or stopper.
- 5 Insert the screws **31** through the bridge and screw tight.

Mounting the swivel part of the circulation set **40**:

- 6 Preparation:
 Unscrew the screw **9** from the unit shaft and loosen screw **9a** of the circulation set **40**.
- 7 Locate swivel part **40**,
- 8 Insert screw **9**. Slightly tighten both screws **9** and **9a**.

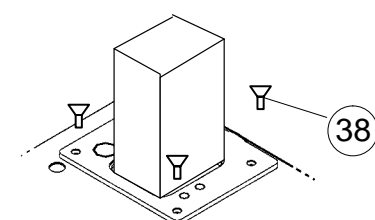
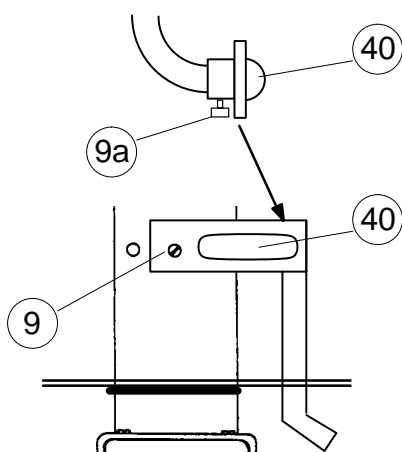
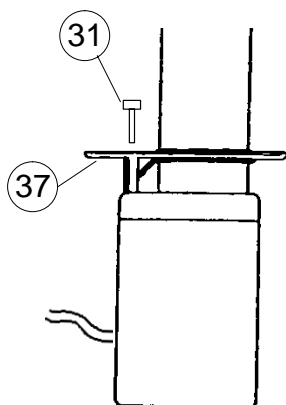
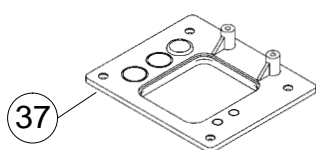
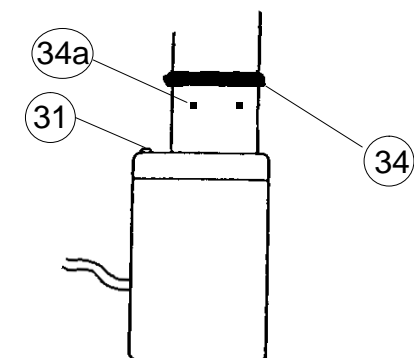
Mounting the bridge onto the bath vessel:

- 9 Attach the bridge to the bath vessel with the thumb-wheel screws **21** (bridge overlaps; only tighten screws lightly).
- 10 Fit the supplied conical bungs in the thermometer holes in the bridge.



 **Further on page 30 "Connecting Hoses".**

Assembly



8.5 Heating circulators with bath vessel B3 Refrigerated circulators with cooling bath K15 or K20

The plate **37** is equipped with a wide range of accessories according to the unit ordered:

- Plate + circulation set + cooling coil (fully equipped B3)
- Plate + circulation set (fully equipped K15 and K20)
- Plate + cooling coil (optional)
- Plate without accessories (optional)

- 1 Stand the temperature control module upside-down,
! Dry unit first if necessary, in order to avoid exposing the electronics to water penetration.
- 2 Unscrew pair of screws **31** and remove spacers,
- 3 Slide the seal **34** over the shaft up to shortly before the screw heads **34a**. Please note the the screws are not symmetrically aligned!

Mounting the plate:


- 4 Slide the plate **37** with the accessories already fitted over the shaft as far as the seal **34**. Now slide it and the seal as far as the screw heads or stopper.
- 5 Insert the screws **31** through the plate and screw tight.

Mounting the swivel part of the circulation set **40**:

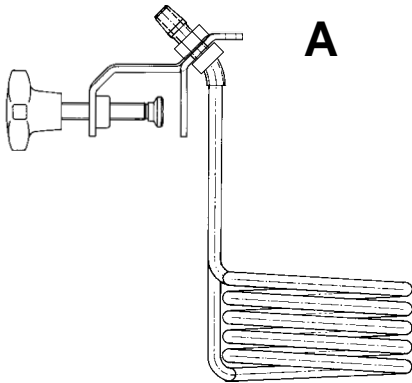
- 6 Preparation:
Unscrew the screw **9** from the unit shaft and loosen screw **9a** of the circulation set **40**.
- 7 Locate swivel part **40**,
- 8 Insert screw **9**. Slightly tighten both screws **9** and **9a**.

Mounting the plate on the bath vessel / cooling unit:

- 9 Locate the plate **37** with the attached temperature control module on top of the bath vessel / cooling unit and secure using the four sunken screws **38**.
- 10 Fit the supplied conical bungs in the thermometer holes in the bridge.

 **Further on page 30 "Connecting Hoses".**
If a **cooling coil** and not a circulation set has been ordered: **further on page 32 "Tap Water Cooling"**.
Afterwards **further on page 34**.

Assembly

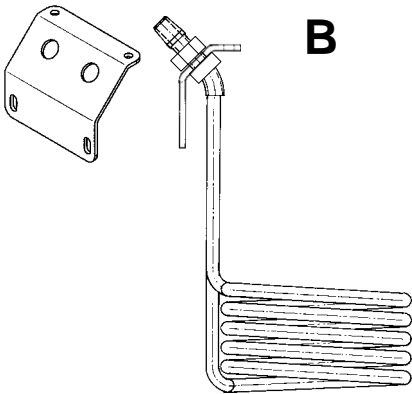


8.6 Subsequently fitting a cooling coil

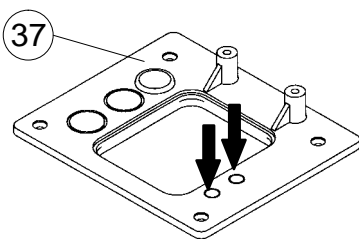
Open-bath circulators with bracket mounting **A** or angled mounting **B**

- 1 Remove the hexagon nuts from the cooling coil.
- 2 Insert cooling coil from below through the bracket or angled mounting as illustrated.

The cooling coil now surrounds the shaft of the temperature control module.



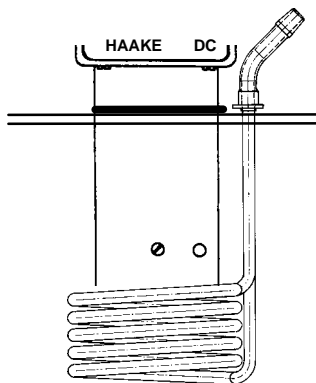
- 3 Adjust the cooling coil (it should be equally spaced away from the shaft on all sides) and screw tight using hexagon nuts..
- 4 Attach the cooling coil with the bracket or angled mounting to the unit according to the instructions on pages 20 and 21.



Open-bath circulators with a plate on a bath bridge:

- 1 Remove the covering plate from the marked openings (↓↓).
- 2 Insert cooling coil from below into the plate **37** as illustrated.

The cooling coil now surrounds the shaft of the temperature control module.

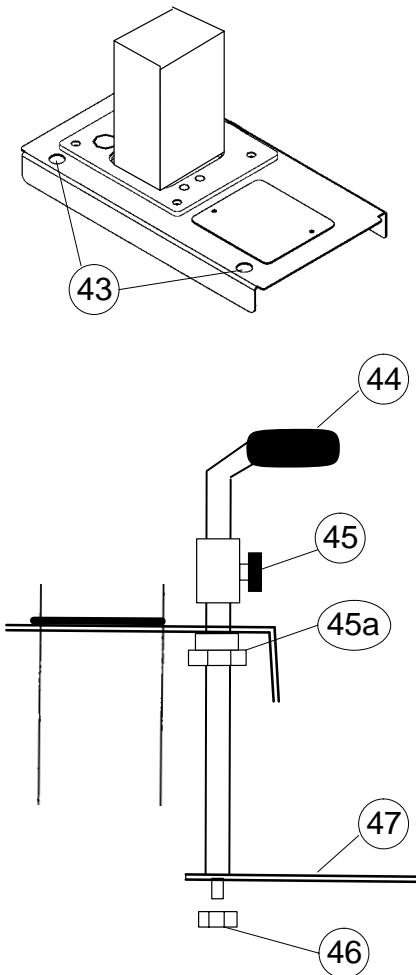


- 3 Adjust the cooling coil (it should be equally spaced away from the shaft on all sides) and screw tight using the screw which previously held the covering plate

Assembly

8.7 Fitting a lifting platform to the bridge

8.7.1 Lifting platforms 333-0217 and 333-0227

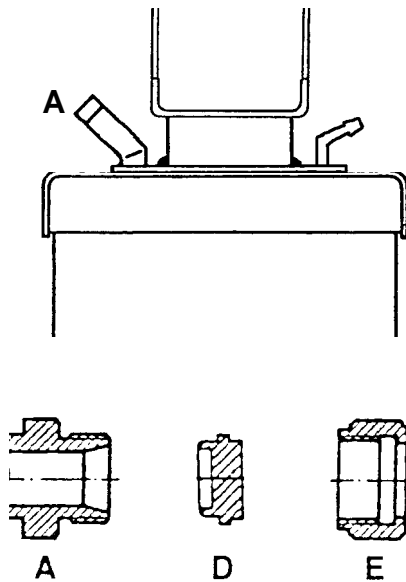


- 1 Remove the closure pieces **43** and loosen nuts **45a** and **46**,
- 2 Insert the two handles with the sleeves **44** of the lifting platform from above and tighten nut **45a** from below using a wrench,
- 3 Adjust the handles to the same height by loosening and subsequently locking the thumbwheel screws **45**,
- 4 Stand the temperature control module with the bath bridge and inserted rods upside-down,
- 5 Locate the lifting platform **47** and screw tight using nuts **46** a washers,
- 6 Place the entire assembly onto the bath vessel.

The height adjustment of the lifting platform is carried out via the thumbwheel screws **45**.

Connecting Hoses

9. Connecting Hoses



Pump nozzle **A**:

front: return flow from external object

rear: outlet to external object (pressure side)

Hoses are normally used to connect the pump with an external vessel. If objects are to be temperature controlled in the internal bath only, the pump nozzles **A** can be closed with a covering plate **D** attached with a union nut **E** (supplied as standard). However, in order to achieve a better temperature constancy, it is recommended not to close but to connect the two nozzles with a short hose with a min. length of 50 cm.

General recommendations concerning the max. allowable length of hoses cannot be given. It all depends largely on the size, form and material of the external vessel to be temperature controlled. It should be understood that the length of a hose and its diameter combined with the circulating capacity have a large effect on the temperature control effectiveness. Whenever possible, the decision should be made in favor of the wider hose diameter and the vessel to be temperature controlled should be placed as close as possible to the circulator.

- ! **High operating temperatures will lead to high temperatures on the hose surface, this is even more so at the metal nozzles. In this case: DO NOT TOUCH!**
- ! **The required hose material is dependent on the heat transfer liquid used.**
- ! **Hoses must not be folded or bent!
A wide radius should be used if turns have to be made!**
- ! **Hoses may become brittle after prolonged use or they may get very soft. They should, therefore, be checked regularly and exchanged if necessary!**
- ! **Secure all hose connections using hose clamps!**

9.1 Plastic hoses

It must be ensured that the hoses selected are fully suitable for the particular application, i.e. that they will not split, crack or become disengaged from their nozzles.

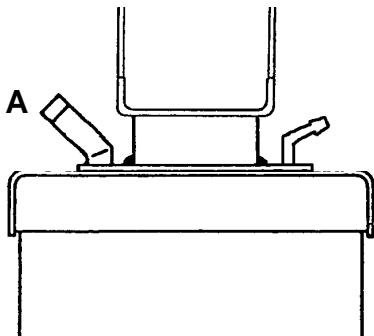
HAAKE circulators are supplied with Perbunan hoses as standard. They have proven their versatility in the temperature range between - 30 to + 100°C.

Perbunan is resistant against water, alcohol and most oils.

- ! **The hose delivered as standard is only suitable for temperature up to 100°C (or 210°F)!**

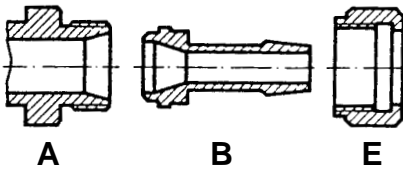
Connecting Hoses

Hoses for other thermal liquids and temperature ranges can also be supplied by HAAKE:



Hose material:	Permissible Temperature range:	Remarks:
PVC	10 to 60°C	For water only!
Viton	- 60 to 200°C	Not for silicone oil! universally suitable
Silicone	- 30 to 220°C	
Metal	-100 to 350°C	

The hoses are connected using the hose fittings **B** supplied for 8 or 12 mm \varnothing which are attached to the pump nozzle **A** with the coupling nut **E**.

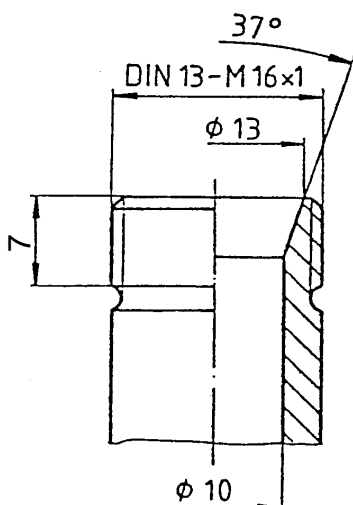


9.2 HAAKE metal hoses

HAAKE metal hoses (stainless steel insulated) offer a particularly high degree of safety and are suitable for both low and high temperatures.

The metal hoses are attached directly to the nozzle **A**, gaskets are not required.

! The hoses must not be extremely bent or subjected to mechanical strain!



These hoses are available in lengths of 0.5, 1.0 and 1.5 meters from HAAKE. Couplings for connecting two hoses are also available if other lengths should be required for a particular application.

The smallest opening inside the metal hoses is 10 mm. The metal hoses are provided with coupling nuts (M16 x 1, DIN 12 879, part 2) at either end. The counter piece for attaching them complies to the left hand sketch.

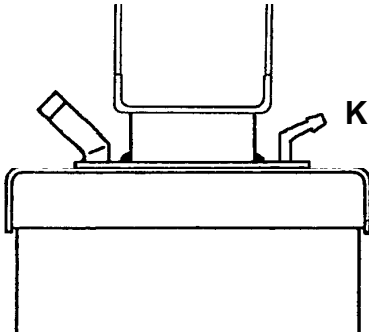
Connecting Hoses

9.3 Tap water cooling

Only for units without own refrigeration unit!

9.3.1 Connection to cooling (tap) water

Using the cooling coil a lowest operating temperature approx. 3°C above the given cooling water temperature can be achieved.



- 1 Use hoses with 8 mm internal \varnothing and connect to the cooling coil **K**. The direction of the flow can be freely selected. It must be taken care that at the outlet side, the water can run out unhindered.

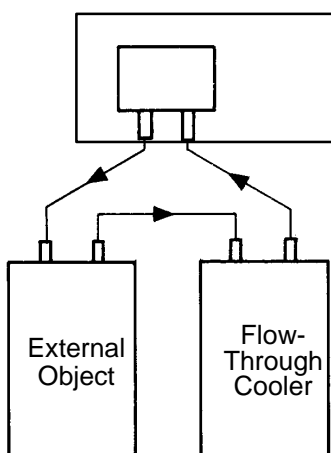
Pressure fluctuations of the public water net may hamper the temperature constancy. For proper results the water pressure should be stable or measures should be taken to keep it stable.

The min. pressure should not be below 1 bar.

- 2 The amount of flow should be set to a min. value. At first the full flow should be used so that the unit can reach its operating temperature. Then, the amount of flow should be reduced using the water cock or a hose clamp. The actual temperature will rise above the set temperature if the water flow is insufficient. If so increase the water flow,

9.4 External Cooling Devices

Heating / Open-bath circulator



With immersion and flow-through coolers from HAAKE, the heat transfer liquid can be cooled down considerably below 0°C and the circulator can be rendered independent of tap water.

A flow-through cooler should be used for the C1-B3, DC1-B3, DC3-B3 and DC5-B3. The flow-through cooler is hooked up into the return flow line of the external vessel and from there to the circulator (see Fig.).

Immersion coolers have proven themselves especially suitable for open-bath circulators with angled brackets or the bath bridge H32.

The fitting opening is already provided in the bath bridge H32.

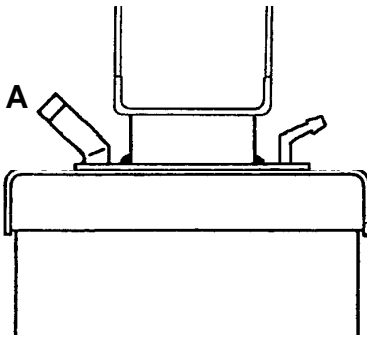
The assembly and application are described in the cooler instruction manual in detail.

Connecting Hoses

9.5 Pressure pump

9.5.1 Temperature controlling an object in the internal bath

Close pressure and return port **A** with the closing pieces and coupling nuts or, better yet, connect the two nozzles with a short hose.



9.5.2 Connection of external closed systems

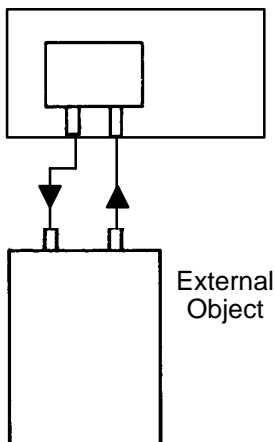
E.g. instruments with a pressure-tight temperature jacket or coil or a heat exchanger.

Hose connection:

From the pressure port (at the rear) to the external object and then back to the return port (at the front).

If it cannot be avoided that the external object is situated higher than the circulator, the heat transfer will only not flow back on the condition that the system is completely tight and leak-free. To be on the safe side it may be considered necessary to fit stop cocks to the inlet and outlet hoses.

Heating / Open-bath circulator



Filling

10. Filling with Bath Liquid

The selection of the proper bath liquid (heat transfer liquid) influences the capacity of a temperature control unit decisively. The technical data with special emphasis on the temperature accuracy was established in accordance with DIN 58 966 (water at 70°C).

The temperature accuracy will decrease the higher viscosity of the heat transfer liquid and the lower its heating capacity is.

It is difficult to arrive at valid statements which can be applied as a general rule as the length of the hoses, the volume and the material of the connected systems have a great influence on this accuracy.

The heating up and the cooling down time of a system to be temperature controlled can be influenced by the bath liquid too. Oil, for instance, cuts this time in half when compared to water.

10.1 Recommended bath liquids

5 to 95°C

Distilled Water

- Normal tap water leads to calcareous deposits necessitating frequent unit decalcification.

! Calcium tends to deposit itself on the heating element. The heating capacity is reduced and service life shortened!

- Water, of course, can be employed up to 95°C, however above 80°C water vaporization reaches a level which necessitates the liquid to be constantly replenished.

! Immersion circulators which are not combined with a bath bridge should not be operated constantly over a vapor emitting bath!

–30 to 80°C

Water with Antifreeze

In applications below 5°C the water has to be mixed with an antifreeze. In doing so, the amount of antifreeze added should cover a temperature range 10°C lower than the operating temperature of the particular application. This will prevent the water from gelling (freezing) in the area of the evaporating coil the surface area of which is much colder than the working temperature. An excess of antifreeze deteriorates the temperature accuracy due to its high viscosity.

Filling

–30 to 145°C

HAAKE SIL180

...this heat transfer liquid is suitable for covering nearly the entire range with just one liquid especially when used with the cooling units K15 and K20.

Unfortunately *SIL180* has a creeping tendency necessitating the occasional cleaning of the bath cover.

above 80°C

HAAKE offers a range of heat transfer liquids for these temperature control applications.

MIN ... : Mineral oil is inexpensive, it can however cause annoying smells.

Synth ... : Synthetic thermal liquid with a medium life span (some months) and little smell annoyance.

SIL ... : Silicone oil with a very long life span (> 1 year) and negligible smell.

Please get in contact with us should you have any questions. We are glad to advise you and can help you to choose a heat transfer liquid suitable for your application. HAAKE heat transfer liquids are supplied with an EC Safety Data Sheet.

! Important ! HAAKE takes no responsibility for damages caused by the selection of an unsuitable bath liquid.

Unsuitable bath liquids are liquids which e.g.

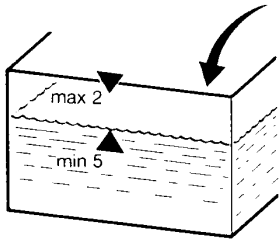
- are very highly viscous (much higher than 30 mPa·s at the respective working temperature)
- have corrosive characteristics or
- tend to cracking

! Important ! It is absolutely mandatory that the overtemperature cut-off point is set lower than the flash point for the heat transfer liquid selected. (See Chapter 16).

! Important ! The highest working temperature as defined by the EN 61010 (IEC 1010) must be limited to 25°C below the flashpoint of the bath liquid.

! Important ! Please ensure when selecting the heat transfer liquid that no toxic gases can be generated and bear in mind that inflammable gases can build up over the liquid during usage.

Filling



10.2 Filling with heat transfer liquid

Filling level of the interior bath:

max. up to 2.0 cm below the cover plate,

min. up to 5.0 cm below the cover plate.


**When working with water or water with antifreeze:
or with oil below ambient temperature:**

the filling level should be 2 cm below the deck plate.

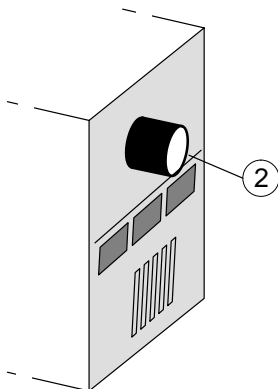
When working with oil above 80°C:

Keep level somewhat lower. Oil expands when being heated. Rule of thumb: 10% volume increase per 100°C heat increase.

External systems included within the circulating circuit have to be filled with the same heat transfer liquid in order to avoid too much liquid being drawn from the internal bath.

 The bath level should be checked when the preset temperature has been reached!

Quite often closed external systems cannot be prefilled as suggested. In this case the internal bath of the unit has to be filled to the max. level. After starting the unit, the pump will feed the necessary liquid to the external system. Should the demand be higher than the volume difference between high and low, the low liquid level sensor will be activated and the pump switched off.

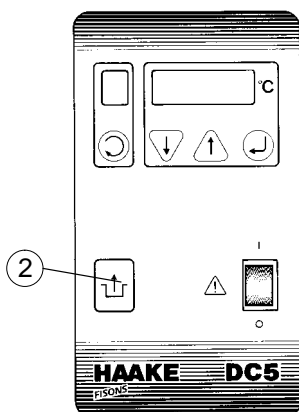


In this case:

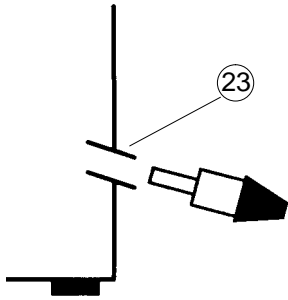
- 1 Replenish the liquid,
- 2 Reset the unit:
Press in the outer ring **2** (at the rear) for the C1 and DC1,
Depress the key **2** (at the front) for the DC3, DL3 and DC5

⇒ The unit starts up again

- 3 Repeat this action if necessary.




Draining



11. Draining

The temp. control unit is drained at the nozzle **23**.

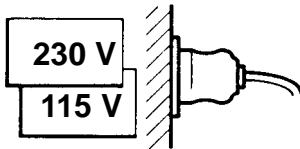
- 1 Place a suitable vessel underneath nozzle.
-  Bear in mind that the liquid will run out in a slight arc.
- 2 Turn plug slowly until it becomes disengaged from the thread. A pin will prevent the liquid from running out right away.
- 3 Pull out plug (pin) in one quick motion. The liquid will start to run out.
- 4 Possible residues can be drained by tilting the circulator slightly.

**! Hot heat transfer liquid should not be drained!
When certain conditions make draining necessary,
please act safety conscious: Wear protective
clothing and protective gloves!**

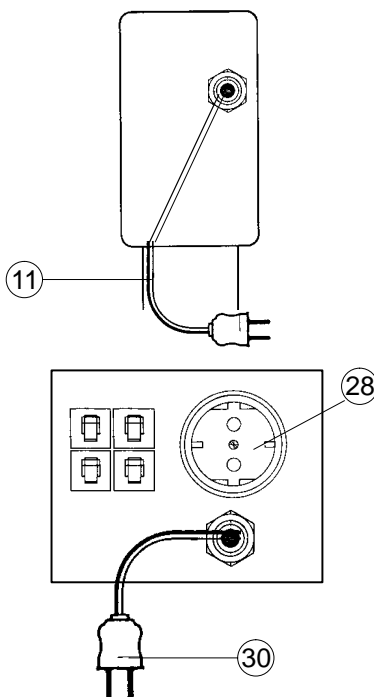
Connecting Up

12. Connecting Up

12.1 Connecting to the mains



Only attach this unit to mains sockets with a grounded earth. Compare the local mains voltage with the specifications written on the name plate. Voltage deviations of +/- 10% are permissible. The socket must be rated as suitable for the total power consumption of the unit.



12.1.1 Only for refrigerated baths K15, K20 and V

- 1 Insert the mains plug **11** of the temperature control module into the socket **28** at the rear of the refrigerated bath.
- 2 Connect the refrigerated bath's mains plug **30** to a grounded mains socket.

! Socket **28** is live as soon as this connection has been made whether the refrigerated bath has been switched on at the mains switch or not!

12.2 Checking the liquid circuit

Before switching on, check again to make sure that the pressure and suction ports are either connected with each other or blocked with covering plugs or alternatively if an external object is to be temperature controlled, that the hoses are connected correctly and secured (see chapter 9.5).

12.3 Changing the mains plug (e.g. for Great Britain)

! This should only be carried out by qualified specialist personnel!

The mains cable wires have the following colors:

Brown	=	Live
Blue	=	Neutral
Green/Yellow	=	Earth

Connecting Up

12.4 Fuses on the unit

All units are equipped with automatic thermally-triggered fuses.

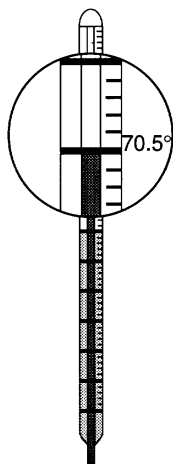
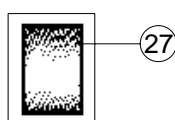
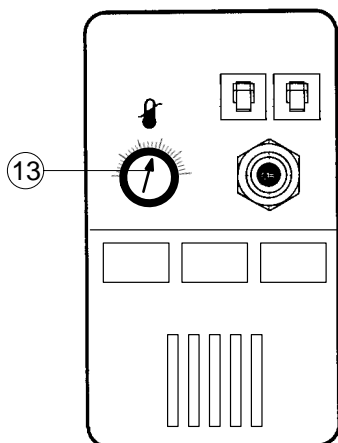
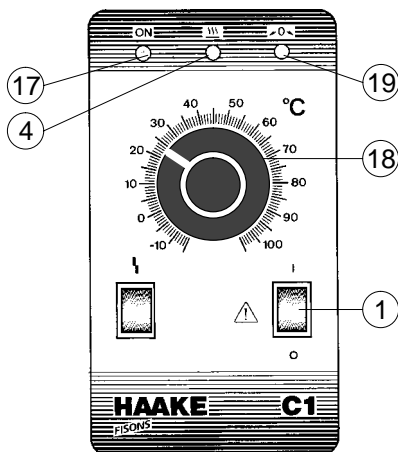
If the fuse has triggered...

- the fuse does not have to be exchanged – resetting suffices;
- a red marking is visible;
- a certain cooling down time should be allowed (approx. 5 min) before the (dip) switch can be pressed again.

! Do not use tools; do not use force. Both destroy the fuse.

! If the fuse should be triggered again after resetting, the unit probably has a defect. In this case the unit should be sent in for servicing.

Operating the C1



13. Operating the C1

13.1 Switching on

- 1 Set the excess temperature protection clearly above the desired operating temperature using the dial 13.
- 2 Switch the circulator on at the mains switch 1.
This causes:
 - ⇒ Mains display light 17 shows green.
 - ⇒ Pump motor starts up – the heat transfer liquid starts to circulate.

A separate cooling device (if available) is switched on via its own mains switch 27. The compressor starts with a slight jerk. Only activate cooling device if cooling is actually required.

13.2 Setting the desired temperature

- 1 The set temperature is adjusted using the dial 18.
(in divisions of 1°C).

Temperature fine-adjustment is carried out using the potentiometer 19 (a small screwdriver is required for this). Fine-adjustment can be controlled via a checking thermometer. Please note that the circulator requires some time to react to alterations.

13.3 Heating control lamp

The display 4 lights up when the heating is switched on (set temperature is higher than the current temperature).

- ⇒ display 4 lights up constantly during the heating up phase,
- ⇒ display 4 flashes on and off during the control phase.

The display 4 does not light up if the heating is not activated (set temperature is lower than the current temperature).

13.4 Displaying the actual temperature

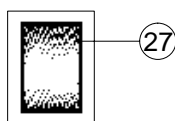
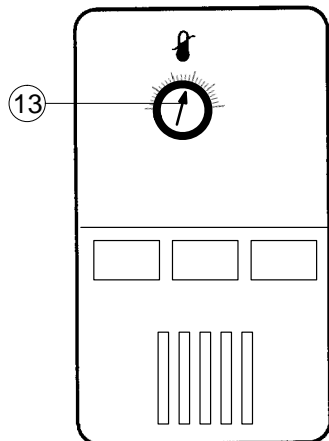
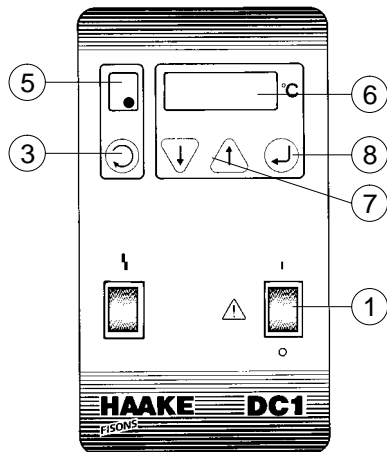
The thermometer supplied as a standard feature is graduated in segments of 0.5°C. Thermometers with smaller gradations are available on special request.

Please note: This thermometer is neither calibrated nor gauged.

13.5 Excess temperature protection

Further on chapter 16.

Operating the DC1



14. Operating the DC1

14.1 Switching on

- 1 Set the excess temperature protection clearly above the desired operating temperature using the dial 13.
- 2 Switch the circulator on at the mains switch 1.
This causes:
⇒ Pump motor starts up – the heat transfer liquid starts to circulate.
⇒ Display 6 shows the actual temperature at the control sensor (resolution 0.1°C).

A separate cooling device (if available) is switched on via its own mains switch 27. The compressor starts with a slight jerk. Only activate cooling device if cooling is actually required.

14.2 Setting the desired temperature

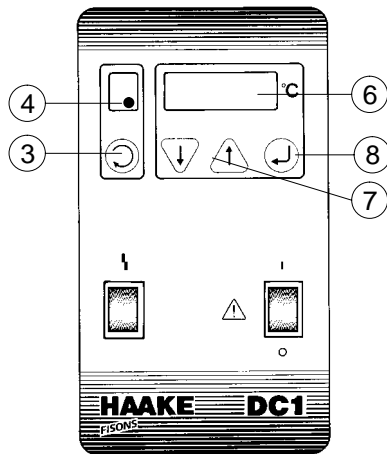
- 1 Press the key 3, until “ t_{set} ” (set value) is shown at the display 5
- 2 Alter the value shown on the display 6 using the keys 7 (↑) or (↓)
If one of the keys 7 is held depressed the first degree of temperature alteration is carried out slowly. After this, the alteration rate is multiplied by five.
- 3 Press the Enter key 8.
⇒ The selected value is confirmed as the new set value.

 **The new value is not saved until the Enter key has been pressed. The circulator continues to use the old set value.**

The display 6 automatically switches back to actual temperature display after a short time.

After the Enter key 8 has been depressed, the set value remains stored even in case of a power failure.

Operating the DC1



14.3 Heating control lamp

The display 4 lights up when the heating is switched on (set temperature is higher than the current temperature).

⇒ display 4 lights up constantly during the heating up phase,

⇒ display 4 flashes on and off during the control phase.

The display 4 does not light up if the heating is not activated (set temperature is lower than the current temperature).

14.4 Displaying the actual temperature

Display 6 shows the actual temperature at the control sensor with a resolution of 0.1°C.

This temperature does not correspond directly to the temperature in the circulator's bath and even less to the temperature in the external connected system.

The temperature difference is determined by measuring the actual current temperature using a suitable measuring device (calibrated or gauged thermometer).

It is entered into the circulator as the correction factor "c" (RTA system) and remains stored there.

The resolution of the correction factor "c" according to the RTA system is 0.01°C. Possible change $\pm 2,5^\circ\text{C}$.

Entry (see example overleaf):

- 1 Press the key 3, until "c" is shown on the small display 5.
- 2 Alter the value shown on the display 6 using the keys 7 (\uparrow) or (\downarrow)
- 3 Press the Enter key 8.
⇒ The selected value is confirmed as the new correction factor.

 **The new value is not saved until the Enter key has been pressed. The circulator continues to use the old value.**

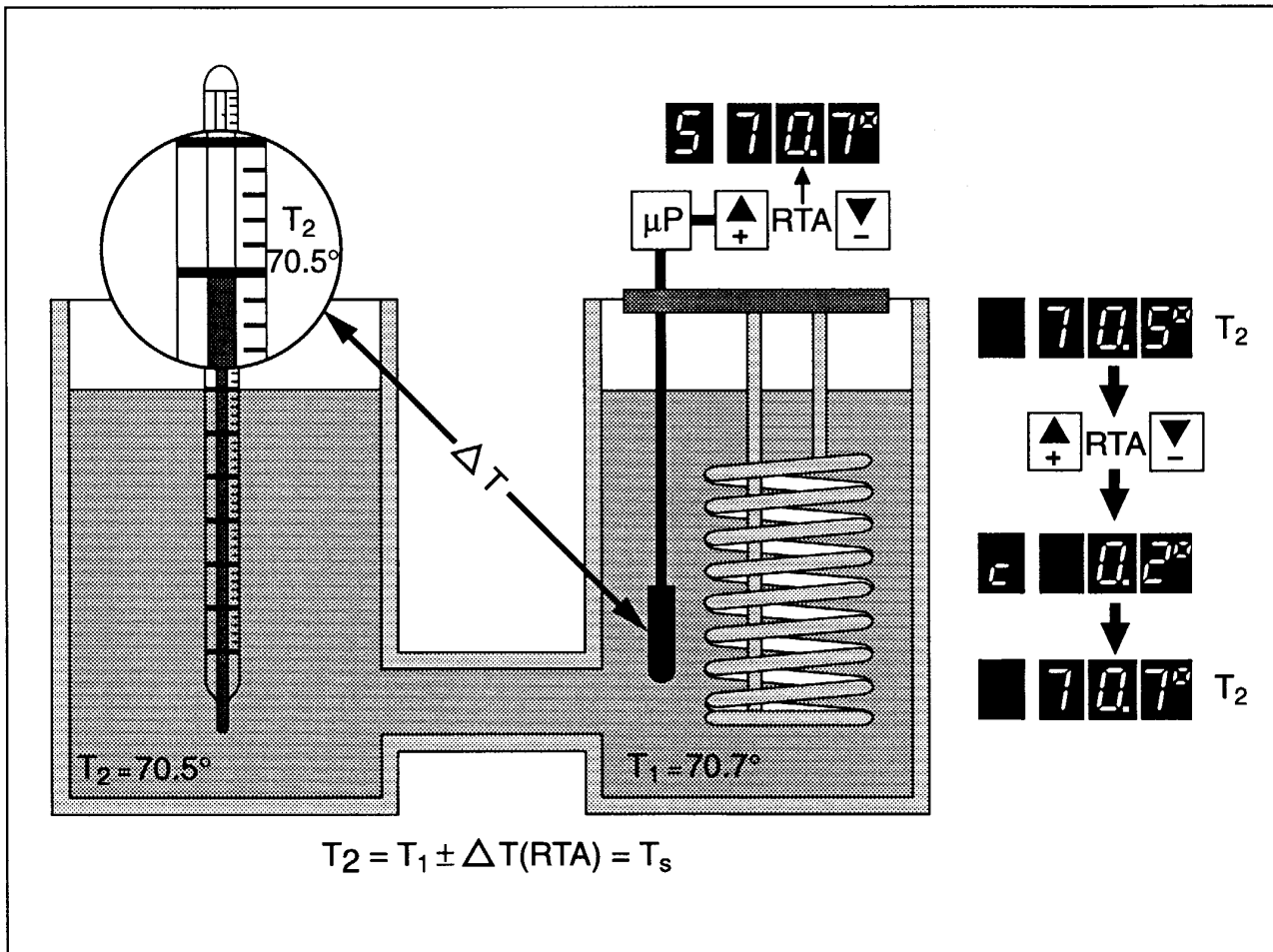
Warning: The correction factor "c" may have to be determined again if the set temperature is altered!

The display 6 automatically switches back to actual temperature display after a short time.

After the Enter key 8 has been depressed, the correction value c (like the set value) remains stored even in case of a power failure.

Operating the DC1

Example:



Set value programmed at the circulator

$$T_{\text{set}} = 70.7^\circ\text{C}$$

Actual temperature in bath / system

$$T_{\text{act}} = 70.5^\circ\text{C}$$

⇒ Deviation, calculated according to

$$\Delta T = T_{\text{set}} - T_{\text{act}}$$

$$\Delta T = 0.2^\circ\text{C}$$

⇒ Entry of the corrected value ΔT as correction factor "c"

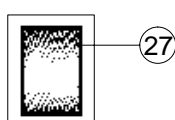
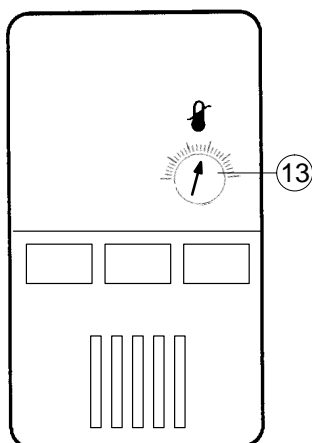
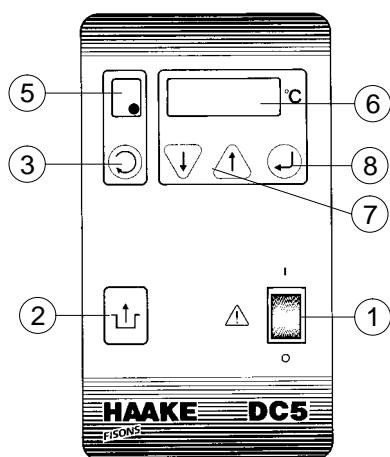
$$c = +0.2^\circ\text{C}$$

The temperature control is thus internally altered so that the desired 70.7°C is also attained in the external system. The temperature displayed at the circulator and that of the external system now correspond with each other.

14.5 Excess temperature protection

Further at chapter 16.

Operating the DC3, DL3 and DC5



15. Operating the DC3, DL3 and DC5

15.1 Switching on

- 1 Set the excess temperature protection clearly above the desired operating temperature using the dial 13.
- 2 Switch the circulator on at the mains switch 1.
This causes:
 - ⇒ The version number of the operating software is briefly shown at display 6: e.g. "n 1.5"
 - ⇒ Display 6 flashes over all segments `00000`
- 3 Press the Reset key 2 (= start).
 - ⇒ Display 6 shows the actual temperature at the control sensor (resolution 0.1°C).
 - ⇒ Pump motor starts up – the heat transfer liquid starts to circulate.

A separate cooling device combined with the DC3 or DC5 is switched on via its own mains switch 27. The compressor starts with a slight jerk. Only activate cooling device if cooling is actually required.

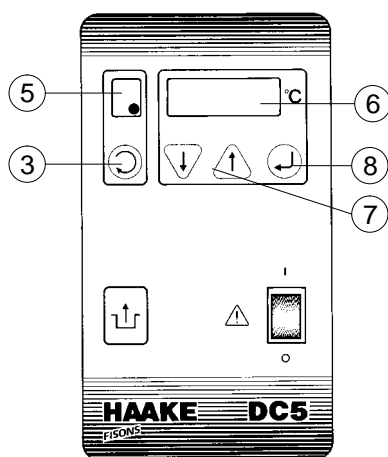
15.2 Starting up again after a power failure

The temperature control module switches itself off in case of a power failure. Display 6 flashes over all segments `00000`. Switching on again is only possible after the reset key 2 has been pressed. This is due to safety reasons.

The unit reacts in the same way if it is switched on via a mains switch in the laboratory.

You can choose if you want to retain these standard default settings. The units can be switched to automatic resetting in both cases mentioned above. This is activated via a separate menu option which can be accessed by pressing the "menu"-key 3 whilst simultaneously switching on the unit.

Operating the DC3, DL3 and DC5



Keep pressing the key **3**, until...

c on is shown in the display.
This is the default setting.

If you switch with key **7** (\uparrow) to...

c OFF and confirm this using the Enter key **8**, the DC5 will switch on again automatically from now on and resetting after the circulator is switched on is no longer necessary.

Please consider any possible resulting risks!

Please wait, until the display returns to showing the actual temperature and switch the circulator off. The standard menu appears after restarting the unit.

15.3 Displaying the software version

If a key is held depressed as the unit is switched on, the operating software version no. (e.g. 'n 1.5') is shown on the display until the key is released.

15.4 Setting the set temperature

- 1 Press the menu key **3** repeatedly until " c " (for set value) is shown on the small display **5**.
- 2 Increase (\uparrow) or decrease (\downarrow) the value shown on the display **6** via the keys **7**.
If you keep one of the keys **7** depressed, the first degree of temperature alteration is shown slowly in tenths of a degree. After this the temperature alteration rate accelerates to five times quicker.
- 3 Press the Enter key **8**.
 \Rightarrow The selected value is confirmed as the new set value.

 **The new value is not saved until the Enter key has been pressed. The circulator continues to use the old set value.**

Warning: The correction factor "c" may have to be determined again if the set temperature is altered! (see chapter 15.6)!

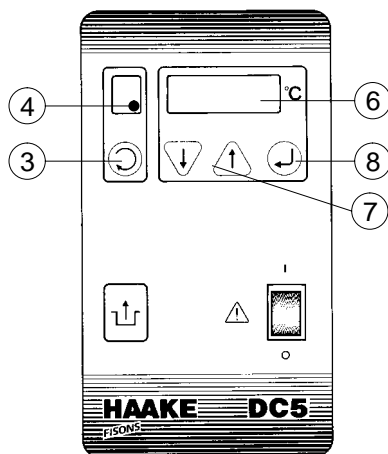
If the symbols c and H in the display **5** flash alternately, then $\text{c} = \text{H}$
Go to chapter 15.7.

The display **6** automatically switches back to actual temperature display after a short time.

After the Enter key **8** has been depressed, the set value remains stored even in case of a power failure.

 **If it is not possible to set the desired temperature due to a fault (display " H_L xx"), please read chapter 17.2.**

Operating the DC3, DL3 and DC5



15.5 Heating control lamp

The display 4 lights up when the heating is switched on (set temperature is higher than the current temperature).

⇒ display 4 lights up constantly during the heating up phase,

⇒ display 4 flashes on and off during the control phase.

The display 4 does not light up if the heating is not activated (set temperature is lower than the current temperature).

15.6 Displaying the actual temperature

Display 6 shows the actual temperature at the control sensor with a resolution of 0.1°C.

This temperature does not correspond directly to the temperature in the circulator's bath and even less to the temperature in the external connected system.

The temperature difference is determined by measuring the actual current temperature using a suitable measuring device (calibrated or gauged thermometer).

It is entered into the circulator as the correction factor "c" (RTA system) and remains stored there.

The resolution of the correction factor "c" according to the RTA system is 0.01°C. Possible change $\pm 2,5^\circ\text{C}$.

Entry (see example overleaf):

- 1 Press the key 3, until "c" is shown on the small display 5.
- 2 Alter the value shown on the display 6 using the keys 7 (↑) or (↓)
- 3 Press the Enter key 8.
⇒ The selected value is confirmed as the new correction factor.

 **The new value is not saved until the Enter key has been pressed. The circulator continues to use the old value.**

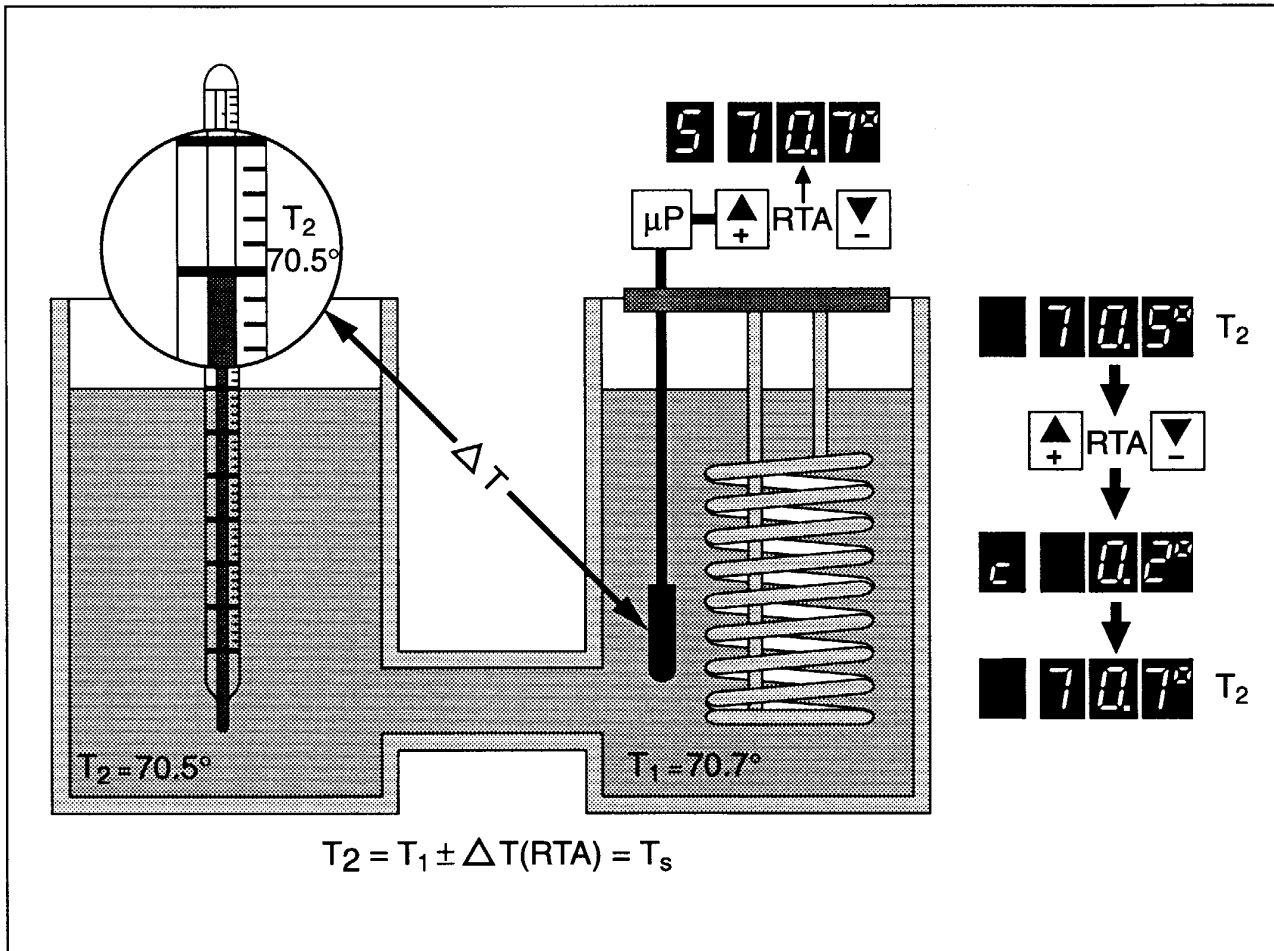
Warning: The correction factor "c" may have to be determined again if the set temperature is altered!

The display 6 automatically switches back to actual temperature display after a short time.

After the Enter key 8 has been depressed, the correction value c (like the set value) remains stored even in case of a power failure.

Operating the DC3, DL3 and DC5

Example:



Set value programmed at the circulator

$T_{\text{set}} = 70.7^\circ\text{C}$

Actual temperature in bath / system

$T_{\text{act}} = 70.5^\circ\text{C}$

⇒ Deviation, calculated according to

$$\Delta T = T_{\text{set}} - T_{\text{act}}$$

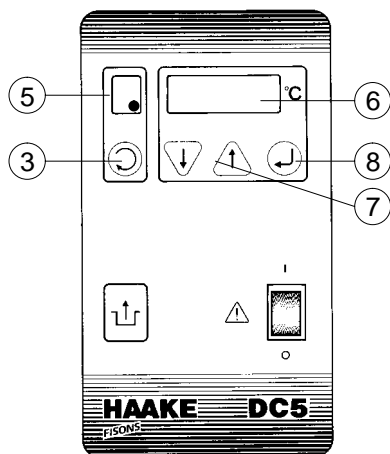
$\Delta T = 0.2^\circ\text{C}$

⇒ Entry of the corrected value ΔT as correction factor "c"

$c = +0.2^\circ\text{C}$

The temperature control is thus internally altered so that the desired 70.7°C is also attained in the external system. The temperature displayed at the circulator and that of the external system now correspond with each other.

Operating the DC3, DL3 and DC5



15.7 Temperature limitation H

The setting range of the operating temperature of the circulator can be limited if the application or the flash point of the selected heat transfer liquid requires this.

! This is not a safety element but merely an aid to help avoid user faults when operating the unit. The excess temperature protection must be set separately.

Setting the set value limitation can only be carried out via the keyboard and not via the RS232C interface. Only set values that correspond to $S < H$ can be entered.

Temperature limitation:

- 1 Press the key **3**, until “ H ” is shown at the display **5**.
- 2 Alter the value shown on the display **6** using the keys **7** (\uparrow) or (\downarrow). Setting is possible with a resolution of 1°C . and only with positive values.
- 3 Press the Enter key **8**.
 \Rightarrow The selected value is confirmed as new limit value.

! Each DC5 is set to a highest temperature “ H ” of 150°C in the factory.

The value must not be altered if the compressor cooled units K15, K20 or V are used!

Higher temperatures can damage the compressor cooling circuit and the bath insulation.

☞ The new value is not saved until the Enter key has been pressed. The circulator continues to use the old value.

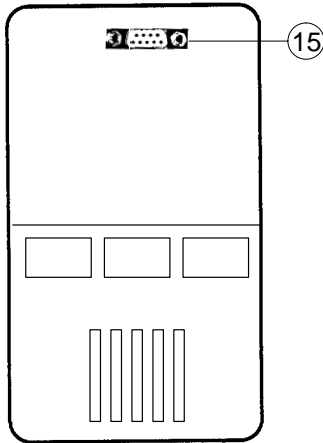
The display **6** automatically switches back to actual temperature display after a short time.

15.7.1 Subsequently altering the temperature limitation H

When subsequently altering the set value limitation H to a value below that of the already preset temperature set value S , the set value S is automatically reduced to $\text{S} = \text{H}$ and saved permanently with H .

An alteration of H to a value $> \text{S}$ does not alter the set value S .

Operating the DC3, DL3 and DC5



15.8 RS232C Interface

The DC5 is equipped with an RS232C interface **15**.
For applications and commands see chapter 19.

15.9 The display cannot be altered

It can happen that the microprocessor 'freezes' under certain unfavorable external conditions e.g. mains voltage surges or electro-magnetic disturbances. In this state it no longer reacts to further entries and displays a random value as the set value (e.g. -90°C) which cannot be altered.

The unit can be rendered operable again by a simple **RESET** as follows:

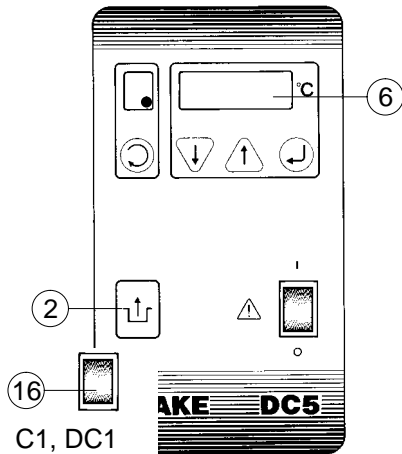
- 1 Switch the unit off at the mains switch.
- 2 Keep the keys ∇ and \triangle simultaneously depressed whilst you switch the unit back on again.

Release the keys as soon as you see the word *RESET* shown on the display.

The microprocessor is now reset to its basic default settings.

! ALL other parameters must now be entered again.

Excess Temperature Protection



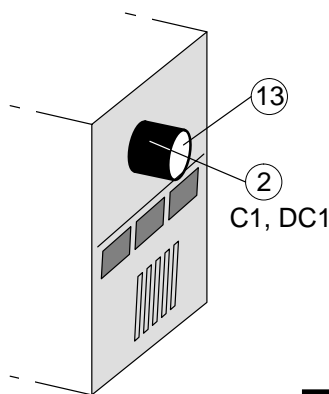
16. Excess Temperature Protection

If one of the safety devices is triggered:

- The fault display light **16** (for the C1 and DC1) lights up
- The fault cause is shown in the display **6** (for the DC3 and DC5) (see also chapter 17.2).
- An acoustic signal is sounded (for the DC3 and DC5)
- all voltage conducting unit components (the heating element and pump motor) are switched off immediately i.e. the safety circuit transfers the unit to a stable, safe condition.

The fault cause must be identified and remedied.

After the fault has been eliminated the unit can be started again by pressing the Reset key **2** (outer ring **2** at rear for C1 and DC1).

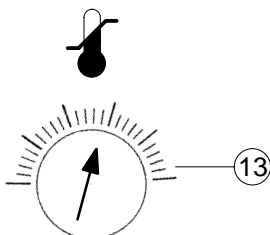


16.1 Excess temperature protection dial

It offers protection against dangers caused by an uncontrolled heating up of the heat transfer liquid above the desired set temperature.

The cut-off temperature is adjusted with the excess temperature setting dial **13**.

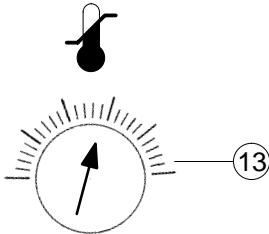
Proper protection can only be guaranteed if the cut-off point has been correctly set.



There are two main aims for correct setting:

- **Safety (primary importance):**
Protection against ignition of the heat transfer liquid. The cut-off point must be set at least **25°C below** the flash point of the bath liquid used.
- **Protection of the object to be temperature controlled (secondary importance):**
Additional protection, e.g. of a biological sample. The cut-off point should be set as close as possible to the desired temperature value.

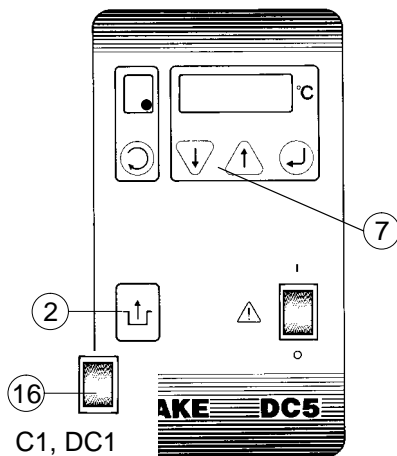
Excess Temperature Protection



16.1.1 Setting the excess temperature

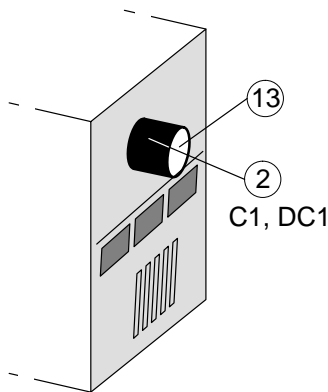
The cut-off point is set with the excess temperature dial **13** with a rough scale of temperature values arranged around it. This scale, of course, can only serve as an approximate setting means for this cut-off point. However, the cut-off point can be determined to act exactly if the following procedure is adhered to:

If for instance a bath liquid has a flash point of 60°C the unit should cut off after reaching 35°C at the latest:



- 1 First set the desired set value " " using keys **7** (↑) or (↓) to exactly 35°C.
- 2 After the circulator has reached this temperature, turn the excess temperature dial **13** backwards very slowly (to the left) until the unit cuts off (acoustic signal, mal-function light **16** is on).
- 3 Then set the set temperature to the actual temperature (< 35°C).
- 4 Reset the unit via the Reset key **2** after the heat transfer liquid has cooled down somewhat.

⇒ The unit can now be used for temperatures below 35°C. As soon as 35°C is reached, it is securely switched off.

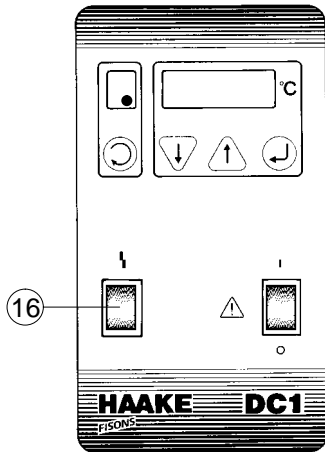


16.1.2 Testing the cut-off point

Set the set temperature to a higher value than 35°C, set the unit to heat up and watch the digital display or thermometer. The value indicated when the alarm goes off is the real cut-off temperature. The reaching of the cut-off point is indicated at the display by the following message:

AL 91

Fault Displays



17. Fault Displays

17.1 C1 and DC1

17.1.1 Excess temperature or low liquid level

Fault display light **16** is illuminated; heating element and pump are completely switched off.

The excess temperature protection can be triggered if:

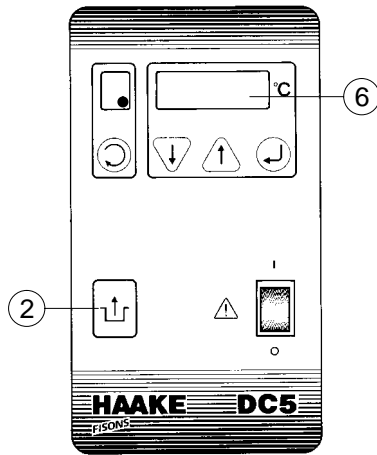
- there is not enough liquid in the bath
 - ⇒ check for leaks, top up if necessary,
 - ⇒ fluid has evaporated, top up if necessary.
- Excess temperature has been set too closely to the desired set temperature
 - ⇒ increase value slightly according to specifications made in chapter 16.1.1.
- the control function is defective
 - ⇒ Return unit for servicing.

17.1.2 Motor or pump overloading

The motor or pump is blocked:

- ⇒ **The motor switches itself off. The motor switches itself back on again automatically a few minutes later after the temperature has dropped again.**
- ⇒ Check the pump for leaks.
Return the unit for servicing if necessary!

Fault Displays



17.2 DC3, DL3 and DC5

An acoustic signal is sounded and “AL xx” is shown on display **6**.

The heating element and pump are completely switched off.

The following faults are possible:

AL °C	=	Excess temperature
AL - n	=	Low liquid level
AL - P	=	Pump or motor overloading
AL - F	=	Sensor breakage or short circuit
AL - r	=	Undefined fault
8 Err	=	Range exceeded
5 Err	=	Parity fault

17.2.1 Excess temperature

AL °C

The excess temperature protection can be triggered if:

- Excess temperature has been set too closely to the desired working temperature
⇒ increase value slightly according to specifications made in chapter 16.1.1.
- the control function is defective
⇒ Return unit for servicing.

17.2.2 Low liquid level

AL - n

The low liquid level protection can be triggered if:

- there is not enough liquid in the bath
⇒ check for leaks, top up if necessary,
⇒ fluid has evaporated, top up if necessary.

17.2.3 Pump or motor overloading

AL - P

The motor or pump is blocked:

- ⇒ It can take 10 min or longer, until the motor temperature has sunk far enough so that the unit can be switched on again by pressing the reset key **2**. If the circulator switches off again after a short time, return the unit for servicing!

Fault Displays

Err - F

17.2.4 Sensor breakage or short circuit

The sensor must be exchanged by qualified service personnel. Please return unit for repairs.

Err - r

17.2.5 Undefined fault

This can be caused by fault which only occurs for a short period of time, i.e. with a fluctuating bath level when the filling level is very close to minimum.

Before returning the unit, top up with heat transfer liquid. This fault can often be remedied in this way!

In all other cases this unit must be checked by qualified service personnel.

Err

17.2.6 Range exceeded

The set value and high limit value are cyclically checked for their validity. The fault message “B Err” is shown on the display in case of the range being exceeded. The heating is switched off.

⇒ Switch the unit off and start it up again according to the instructions detailed in chapter 15.9.

⇒ Return the unit for repairs in case of repeated faults.

Err

17.2.7 Parity fault

All data is saved together with a corresponding parity bit in the permanent storage (SRAM). When this data is accessed, the respective parity bit is checked. In case of a parity fault the fault display “S Err” is shown on the display. The heating then shuts itself down.

⇒ Switch the unit off and start it up again according to the instructions detailed in chapter 15.9.

⇒ Return the unit for repairs in case of repeated faults.

Err - E

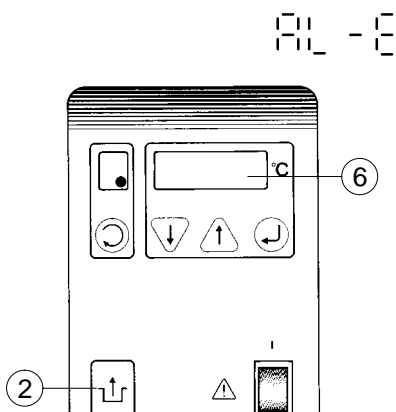
17.2.8 External fault

The DC5 can be switched to fault status via the RS232C interface. In this case see chapter 19.6 (command “ER”).

17.2.9 Fault eliminated?

After the fault has been eliminated, the cause of the fault is shown on the display **6** (e.g. 000 F). The preceding three zeros mean that the fault has been eliminated

The reset key **2** must be pressed in order to start up the unit again.



Testing the Safety Features

18. Testing the Safety Features

The safety features for excess temperature protection and low liquid level protection must be checked at regular intervals. The level of regularity of checking depends on the unit's designated application and the heat transfer liquid used (inflammable or non-inflammable). Practical experience has shown that between 6 to 12 times a year is sufficient.

18.1 Excess temperature protection

Set a cut-off temperature (see chapter 16.1) that is lower than the desired set temperature. Switch on the circulator and check if the circulator really does switch itself off at the set cut-off temperature

If not follow the specifications detailed in chapter 16.1.1.

It may be deemed necessary to have the unit checked over by qualified service personnel.

18.2 Low liquid level protection (for the DC3, DL3 and DC5)

Drain the heat transfer liquid **slowly** during operation (use a drainage tap if necessary) and check if the unit really does switch itself off (see chapter 11).

If not the unit must be checked over by qualified service personnel.

RS232C Interface for DC5

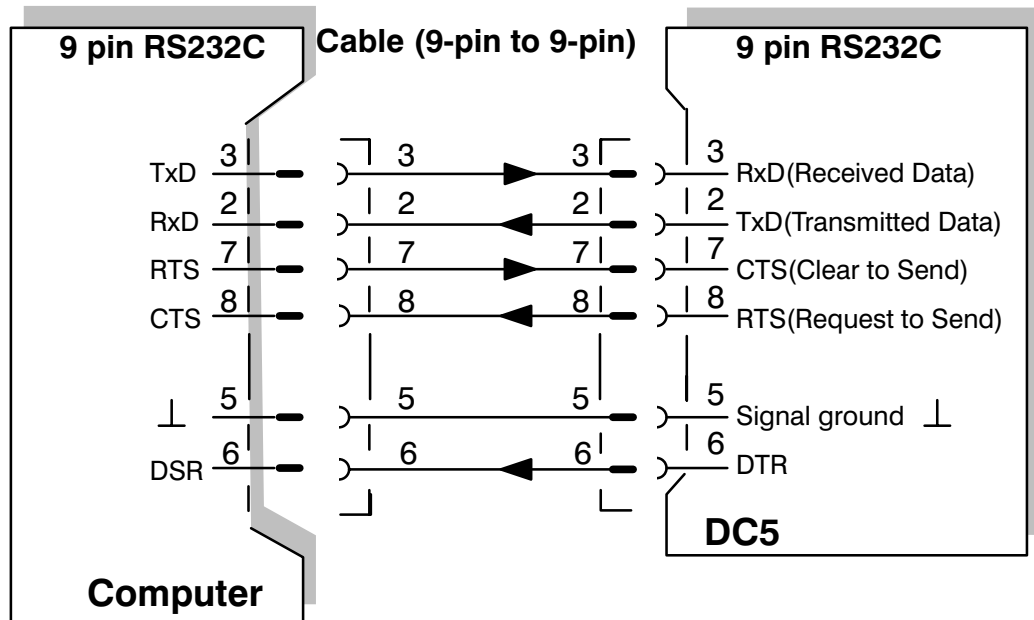
19. RS232C Interface for DC5

The following circulator functions can be controlled by a computer via the RS232C interface:

- Setting the desired set temperature “ t_c ” and correction factor “ i_c ” is possible;
- the actual temperature can be read off;
- the circulator can be reset, started or stopped;
- any fault messages can also be displayed.

19.1 Connecting the DC5 to a computer

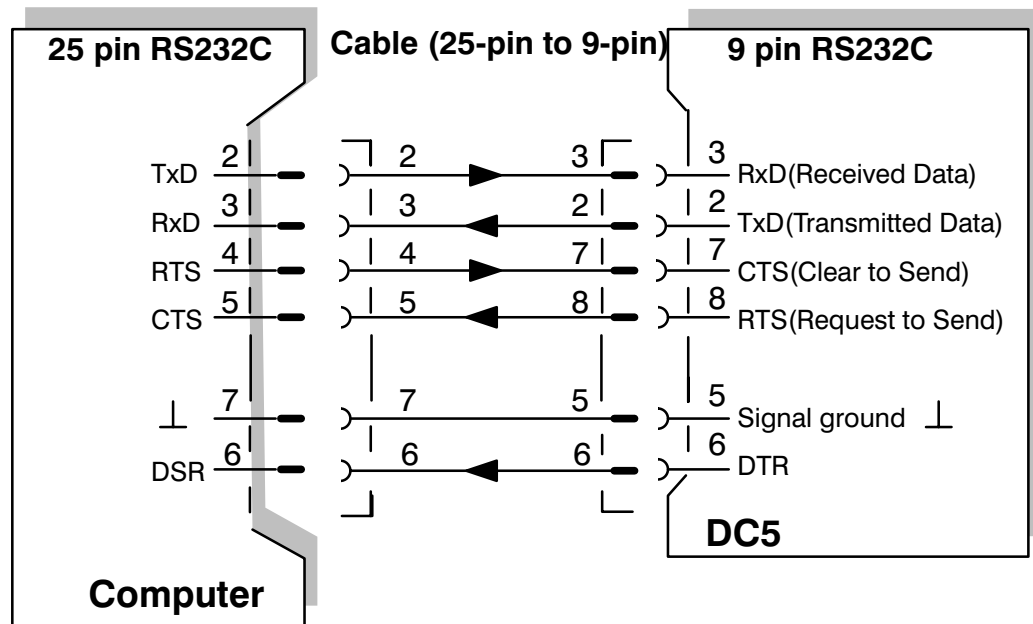
The pin assignment required when connecting a DC5 to a computer via a **9-pin** RS232C socket is as follows:



The pin assignment required when connecting a DC5 to a computer via a **25-pin** RS232C socket is shown overleaf.

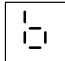
RS232C Interface for DC5

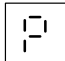
The pin assignment required when connecting a DC5 to a computer via a **25-pin** RS232C socket is as follows:

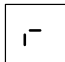


19.2 Interface parameters

Interface parameters can only be set/alterd via the DC5 operating panel.

 $\hat{=}$ Baud rate (600, 1200, 2400, 4800, 9600)

 $\hat{=}$ Parity (OFF= without parity
odd = odd parity
E = even parity)

 $\hat{=}$ Handshake (OFF= without RTS/CTS
ON = with RTS/CTS)

These three transfer parameters cannot be altered via the interface.


DC5 maximum baud rate

We recommend a maximum Baud rate of **4800 bps**.

The communication between the PC and the DC5 circulator should take place at a maximum Baud rate of 4800 bps. Data transfer faults can occur at a Baud rate of 9600 bps.

RS232C Interface for DC5

19.3 Requirements made of external units

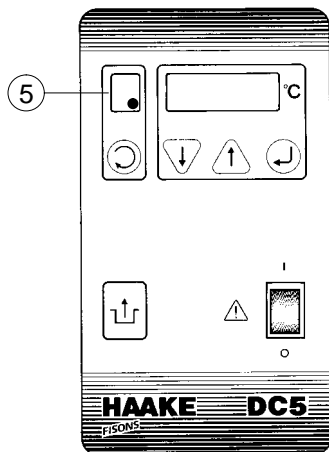
 Only units which have been tested according to EN 60950 (=IEC 950) should be connected to the DC5 interface!

19.4 Setting the desired set value

If the desired value is set via the computer, two horizontal lines are shown on the display **5**.

Additionally:

- a) If the RS232C connection is interrupted, the circulator controls the temperature to the last set value entered via the interface.
- b) After the mains supply current has been switched off and on, the circulator controls the temperature to the last value entered via the DC5 keyboard itself and not the value given by the computer.



19.5 Correction value

If the correction value is set via the computer, two horizontal lines are shown on the display **5**. The correction value only remains saved for as long as the supply voltage is switched on

Additionally:

- a) If the RS232C connection is interrupted, the circulator operates to the last correction value entered via the interface.
- b) After the mains supply current has been switched off and on, the circulator operates to the last value entered via the DC5 keyboard itself and not the value given by the computer.

RS232C Interface for DC5

19.6 Commands for DC5 circulators

(Capital letters must not be ignored!)

V<cr> current operating software version
e.g.: "DC5 : 1.1-4/93\$"

RS<cr> RESET

Actual value

I<cr> call up ACTUAL temperature:
<value> = <VZ>XXXX.XX_C\$<cr><lf>
e.g.: "-0023.45_C\$" T = -23.45°C

Set value

S<cr> call up SET temperature:
<value> = <VZ>XXXX.XX_C\$<cr><lf>
e.g.: "+0023.45_C\$" ⇒ set = 23.45°C

S__<value><cr> .. set SET temperature in 1/100°C, automatic switching to RE-
MOTE operation as well as blocking the ENTER key
 \ 2 Spaces
 <value> = {00000 20000} ⇒ 0°C ... 200.00°C
 <value> = {00000 -5000} ⇒ 0°C ... -50.00°C
e.g.: set = 20.0°C ⇒ "S__02000"
 set = -10.5°C ⇒ "S__-1050"; VZ replaces 1. charac.

RTA Factor c

c<cr> call up Offset: <value> = <VZ>XX.XX_C\$<cr><lf>
e.g.: "-01.20_C\$" ⇒ c = -1.2°C

c_<VZ><value><cr>
set Offset in 1/100°C, automatic switching to REMOTE op-
eration as well as blocking the ENTER key
<VZ> = {+, -};
<value> = {0000 +/-0255} ⇒ 0°C ... +/-2.55°C
" <Space>" and "+" are possible as positive sign,
e.g.: c = 1.23°C ⇒ "c__0123"
 or "c_+0123"

Start and stand-by operation

ST<cr> STOP control (heating off, pump continues)

GO<cr> START control

Alarm triggering and unlocking via the V24 interface

ER<cr> unlocking after switching on or after fault has been remedied

AL<cr> external alarm triggering (main relay missing, i.e. heating and pump off)

RS232C Interface for DC5

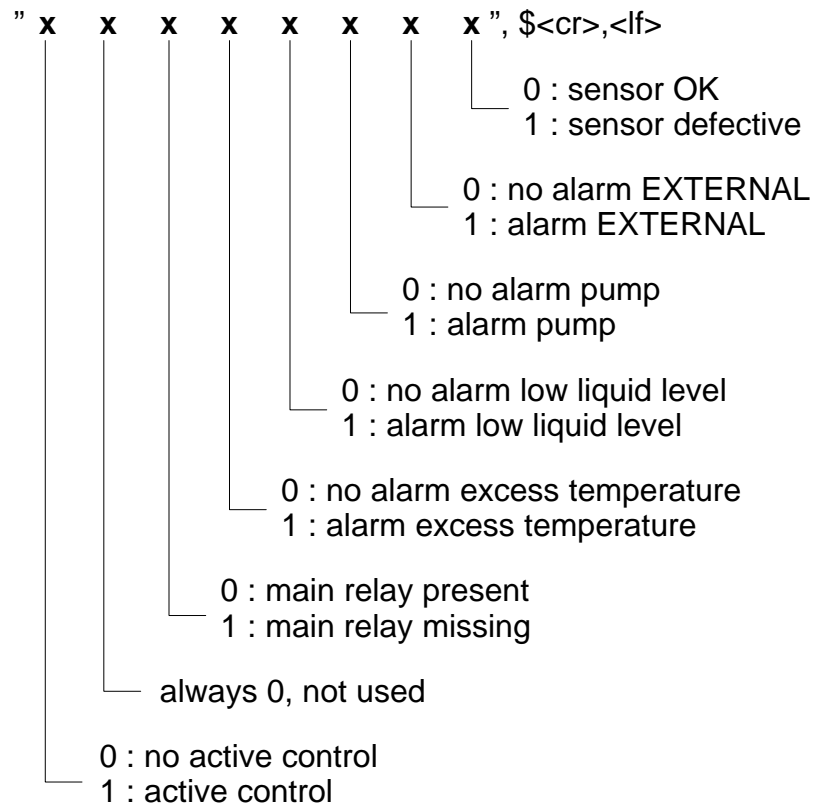
19.7 DC5 keys

The Enter key on the DC5 can be blocked if the circulator is controlled via a PC. This prevents values set via the interface from being accidentally altered at the circulator. The key functions UP, DOWN and MENU remain available. Alterations can however no longer be confirmed with the Enter key.

- L<cr> Switching to REMOTE operation as well as blocking the Enter key (Lock)
- U<cr> Switching from REMOTE operation as well as releasing the Enter key (Unlock)

19.8 Operating status

B<cr> call up operating status:



RS232C Interface for DC5

19.9 Example of a BASIC program

The range of commands stored in the DC5 can be activated by this simple program:

```
REM  command procedure for DC5
REM  enter 1st command
REM  2nd command is passed on to the DC5
CLOSE
OPEN  "COM2:4800,N,8,1,CS0,DS0,CD0" AS #1
```

loop:

```
  b$ = " "
  INPUT "command: ";b$
  if b$ = "X" then markend
  if b$ = "x" then markend
```

repeat command:

```
  PRINT #1,b$
  PRINT
  PRINT "return message"
  PRINT "-----"
```

GOSUB enter

GOTO loop

markend:

END

enter:

```
  A$ = " "
```

read loop:

```
  X = ASC (INPUT$(1,#1))
  IF X = 10 THEN read end
  A$ = A$ + CHR$(X)
  GOTO read loop
```

read end:

```
  print a$
  RETURN
```

Note:

Only capital letters are accepted for commands!

Cooling

20. Cooling

Only for unit combinations K15, K20 or V

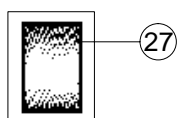
The refrigerated bath is used mainly for enabling lower than ambient or tap water temperatures in circulators or for cooling a heated bath down to a low temperature level very quickly.

The working temperature range is shown in the technical specifications.

 **Continuous cooling at set temperatures above approx. 100°C should be avoided!**

This would result an excessively high temperature in the cooling circuit which would then result in the excess temperature protection being triggered and the compressor being switched off. Once the temperature in the compressor circuit were to get back to normal, the unit would then switch back on again.

This situation must be avoided as it results in a cyclical operation of the cooling compressor which in turn reduces the life-span of the unit.



- 1 In this case switch the refrigerated bath off at the mains switch **27**.

Switching the cooling compressor on for quick cooling down purposes (even at working temperatures of 150°C) is however permissible.

Maintenance

21. Maintenance

The stainless steel surfaces of the bath vessel and of the housing may after some time show spots and become tarnished. Normal stainless steel cleaners as they are used in the kitchen can be used. The bath vessel and built-in components should occasionally (at least every time the bath liquid is changed) be cleaned using a household cleaner. Vinegar-based cleaners have proved to be suitable used according to the manufacturers recommendations.

 **Do not use scouring powder!**

The inside of the bath vessel must be kept clean in order to ensure a long service life. Substances containing acidic or alkaline substances and metal shavings should be removed quickly as they could harm the surfaces causing corrosion. If corrosion (e.g. small rust marks) should occur in spite of this, cleaning with stainless steel caustic agents has proved to be suitable. These substances should be applied according to the manufacturers recommendations.

21.1 Cleaning the fins of the liquefier

In order to maintain the cooling capacity of the unit, cleaning has to be done two to four times per year, depending on the grade of soiling.

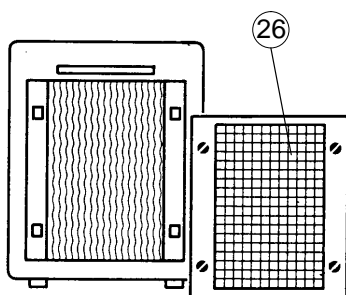
! Switch off the unit and pull out the mains plug.

Only for "V" bath:

- 1 Clean the fins with compressed air.
For extreme soiling remove the cooling compressor casing (only specialist personnel).

Only for K15 and K20:

- 1 Loosen ventilation grid **26**: Rotate the mounting screws 90° in any direction and remove grid.
- 2 Clean fins with brush or similar tool.
- 3 Replace grid and push screws back in (do not rotate screws).



21.2 Discarding the unit:

One day the life span of your cooling unit will end. Therefore:

! This unit contains ozone-friendly coolant R134a. The unit may however only be discarded by authorized personnel.

Technical Specifications

22. Technical Specifications

22.1 Dimensions, material and the permissible temperature ranges of the baths

Bath	Material	Temperature (°C)	Bath opening (mm)		Bath depth (mm)	Volume (l) from..to	Dimensions (WxDxH) ¹⁾ (mm)
			w. holder	w. bridge			
W12P	P	0..60	–	300 x 165	150	9..12	310 x 335 x 340
W18P	P	0..60	–	300 x 340	150	15..19	310 x 510 x 340
V	S	–5..150	300 x 325	300 x 175	200	10..15	535 x 335 x 400
W13	S	..200	300 x 325	300 x 175	150	7..12	335 x 360 x 350
W15	S	..200	300 x 325	300 x 175	200	10..15	335 x 360 x 400
W19	S	..200	300 x 500	300 x 350	150	12..19	335 x 535 x 350
W26	S	..200	300 x 500	300 x 350	200	20..26	335 x 535 x 400
W45	S	..200	–	300 x 500	300	37..42	360 x 540 x 510
W46	S	..200	–	300 x 700	200	26..44	360 x 910 x 410
B3	S	..200	–	130 x 100	150	3	200 x 300 x 375
K15	S	–28..150	–	130 x 100	150	4,5	385 x 465 x 415
K20	S	–28..150	–	130 x 100	150	4,5	230 x 460 x 590

P = Polyacryl, S = Stainless steel

¹⁾ Height including temperature control module

22.2 Technical specifications of the refrigerated baths

		K15	K20	V
Voltage	V	230 ± 10 % or 115 ± 10 % or 100 ± 10 %		
Frequency	Hz	50 (230 V) 60 (230 V) 60 (115 V) 50–60 (100 V)		50 (230 V) 60 (230 V) 60 (115 V) 50–60 (100 V)
Total wattage consumption	VA	2600 (230 V) 1600 (115 V) 1600 (100 V)		2550 (230 V) 1500 (115 V) 1500 (100 V)
Additional connections		Mains socket for temperature control module N _{max} = 2100 VA(230 V) N _{max} = 1300 VA(115 V) N _{max} = 1100 VA(100 V)		

Technical Specifications

22.3 Technical specifications of the temperature control modules acc. to DIN 58966

		C1	DC1	DC3	DL3	DC5
Operating temperature *)	°C	-10..100	-30..100	-30..150	-30..200	-50..200
Temperature accuracy	+/- K	0.05	0.02	0.01	0.02	0.01
Heater capacity 230V	W	1000	1000	1500	2000	2000
Heater cap. 115V + 100V	W	1000	1000	1200	1500	1200
Pump pressure max.	mbar	300	300	300	300	300
Circulation capacity (open)	l/min	17	17	17	17	17
Max. flow rate during circulation using 12 mm ø hoses	l/min	12.5	12.5	12.5	12.5	12.5
Immersion depth from..to	mm	85..140	85..140	95..140	95..240	95..140
Voltage	V	230 ± 10 % or 115 ± 10 % or 100 ± 10 %				
Frequency	Hz	50 or 60 (at 230 V) or 60 (at 115 V) or 50–60 (at 100 V)				
Total wattage consumption	VA	1050	1050	1550 (230 V) 1250 (115 V) 1250 (100 V)	2050 (230 V) 1550 (115 V)	2050 (230 V) 1250 (115 V) 1250 (100 V)
Safety class acc. to DIN		1W	1W	2	2	2
Excess temp. protection		variable	variable	variable	variable	variable
Low liquid level protection		–	–	fixed	fixed	fixed
Motor overload protection		yes	yes	yes	yes	yes
Alarm signalling		optical	optical	opt. + acoust.	opt. + acoust.	opt. + acoust.
FIS system		–	–	yes	yes	yes
Temperature setting		analog	digital	digital	digital	digital
Setting limitation		–	–	yes	yes	yes
Temperature display		thermometer	LED green	LED green	LED green	LED green
RTA system		–	yes	yes	yes	yes
Control type		ON/OFF	ON/OFF	PID	PID	PID
Control sensor		analog IC	digital IC	Pt100	Pt100	Pt100
RS 232 C		–	–	–	–	yes

* The working temperature range is dependant on the cooling selected.

Technical Specifications

22.4 Fuse values

Unit type	Mains voltage	Fuse(s) at the rear panel	Fuse(s) in the unit
C1	230 V	2x6 A	1xT0,125 mA
	115 V	1x10 A	1xT0,125 mA
	100 V	1x12 A	1xT0,125 mA
DC1	230 V	2x6 A	1xT40 mA
	115 V	1x10 A	1xT63 mA
	100 V	1x12 A	1xT63 mA
DC3	230 V	2x10 A	1xT40 mA
	115 V	1x15 A	1xT63 mA
	100 V	1x12 A	1xT63 mA
DL3	230 V	2x10 A	1xT40 mA
	115 V	1x15 A	1xT63 mA
DC5	230 V	2x10 A	1xT40 mA
	115 V	1x15 A	1xT63 mA
	100 V	1x12 A	1xT63 mA
K15	230 V	2x10 A/2x5 A	
	115 V	1x12 A/1x6 A	
	100 V	1x12 A/1x6 A	
K20	230 V	2x10 A/2x5 A	
	115 V	1x12 A/1x6 A	
	100 V	1x12 A/1x6 A	
V-Bad	230 V	2x10 A/2x5 A	
	115 V	1x12 A/1x6 A	
	100 V	1x12 A/1x6 A	